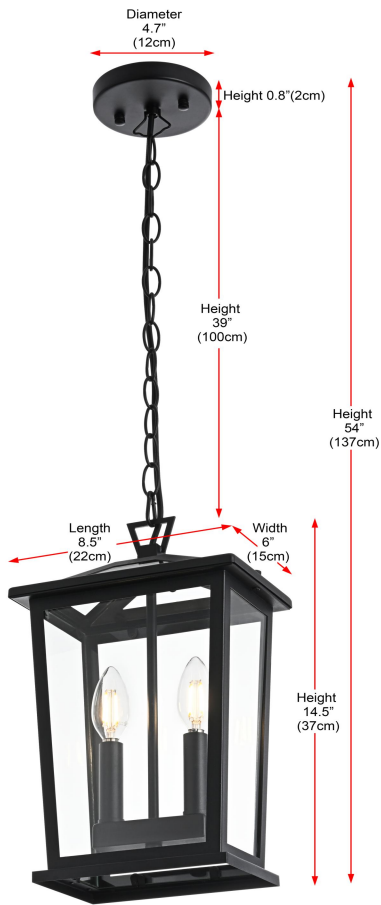


PRODUCT SPECIFICATION SHEET

Berks COLLECTION

8.5 inch Outdoor Hanging Lamp in Black



Item No:OD333H15BK
(Black)

Available Finishes

*The Collection is composed of Pendants,
Outdoor Wall sconce,pole light*

Dimensions

Canopy/Backplate (in)	D4.7" H0.8"
Chain/Rod Length	39"
Length	8.5"
Width	6"
Extension	N/A
Height	14.5"
Maximum Height	54"

Specifications

Finish	Black
Material	Iron and Glass
Glass Color	Clear Glass
Type	Outdoor Hanging Lamp
Lumens	N/A
Voltage	110-125V
Dimmable	No
Warranty	1 Year Limited
Shipment Type	Small Parcel

Bulb / Socket

Socket Type	E12
Number of Lights	2
Wattage/Bulb	60W
Included	N/A

Installation

Indoor/Outdoor	Outdoor
Dry/Wet/Damp	Wet
Weight	5
Wire Length	59
Safety Rating	ETL

