

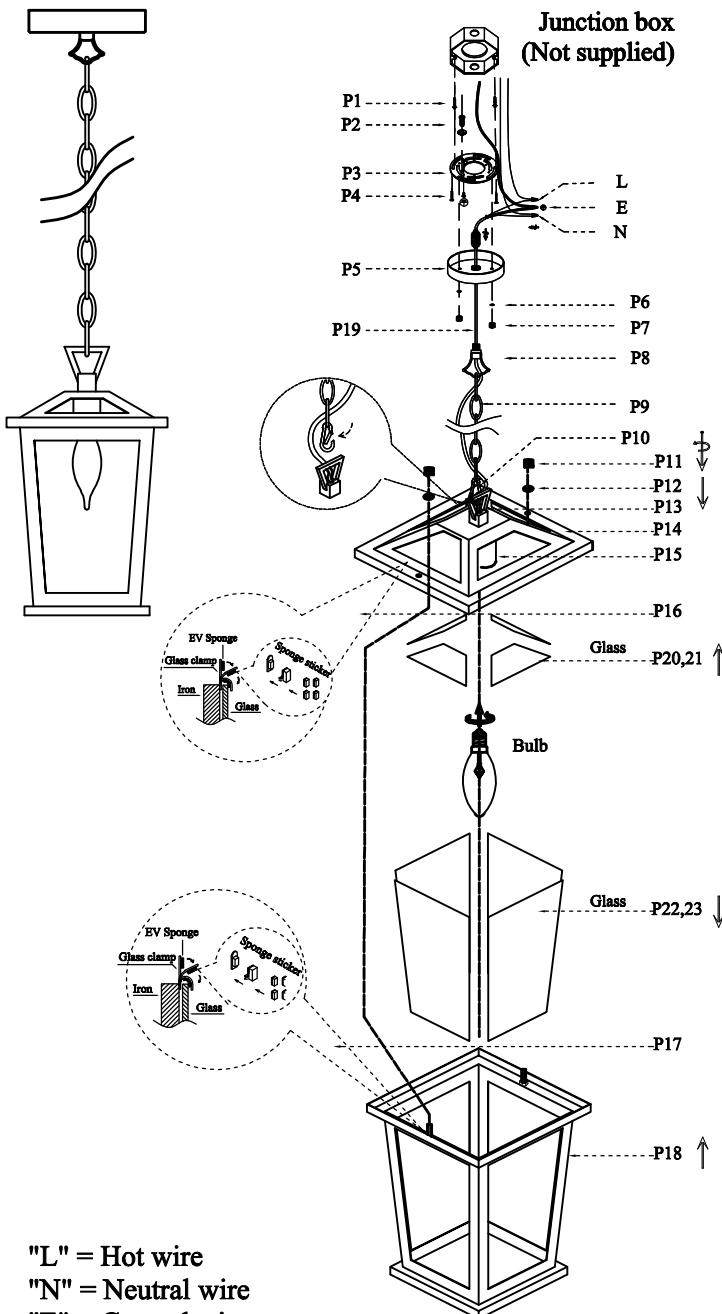
Collection: Berks

Installation manual for:

OD333H12BK L7" W5.5" H12" L1

### Installation instructions:

1. Install E12 light source. (Bulbs not supplied)
2. Put glass (P20,21) into cover (P14) and stick sponge on clips (P16). Finally curve clips to fix glass
3. Put glass (P22,23) into body (P18) and stick sponge on clips (P17). Finally curve clips to fix glass
4. Connect cover (P14) with body (P18) and put rubber ring (P12) and screw caps (P11) to fixable.
5. Use hook (P10) connect (P13). Twist off screw and mat from the hanging ring (P8) and across the middle hole of canopy (P5) and use screw and mat lock in again.
6. Black wire from ceiling (junction box) attaches to "L" wire from the fixture
7. White wire from ceiling (junction box) attaches to "N" wire from the fixture
8. "E" wire from the ceiling attaches to "E" wire from the fixture.
9. Screw (P2) through to canopy hole (P5) and then put rubber ring (P6) and twist screw cap (P7) to fix mounting bracket (P3).



"L" = Hot wire  
 "N" = Neutral wire  
 "E" = Ground wire

Part Number	Part	Picture	Description	Qty
CP12H01BK	P1		Explosion screw	2
	P2		Screws M4	2
	P3		Mounting bracket $\phi 3.94$	1
	P4		Screws M4	2
	P5		Canopy ( $\phi 4.7'' \times 0.78''$ )	1
	P6		Rubber ring	2
	P7		Screw cap	2
Chain04PBK	P8		Hanging rings L1.57''*W0.59''*H1.57''	1
	P9		Chain (L39'')	1
	P10		Hook (L1.57''*W0.78''*H0.15'')	1
P-OD333H12BK-1	P11		Screw cap	2
	P12		Rubber ring	2
	P13		50*50*20MM Ring	1
	P14		180*140*H40MM Cover	1
	P15		E12 Lamp Holder	1
	P16		EV Sponge Sponge sticker	12
	P17		EV Sponge Sponge sticker	12
	P18		175*135*219MM Body	1
Cord-59-18#-BK	P19		UL18#, L59" Black	1
GP12L15	P20		99*56MM Glass	2
	P21		134*40MM Glass	2
	P22		137*196MM Glass	2
	P23		98*197MM Glass	2