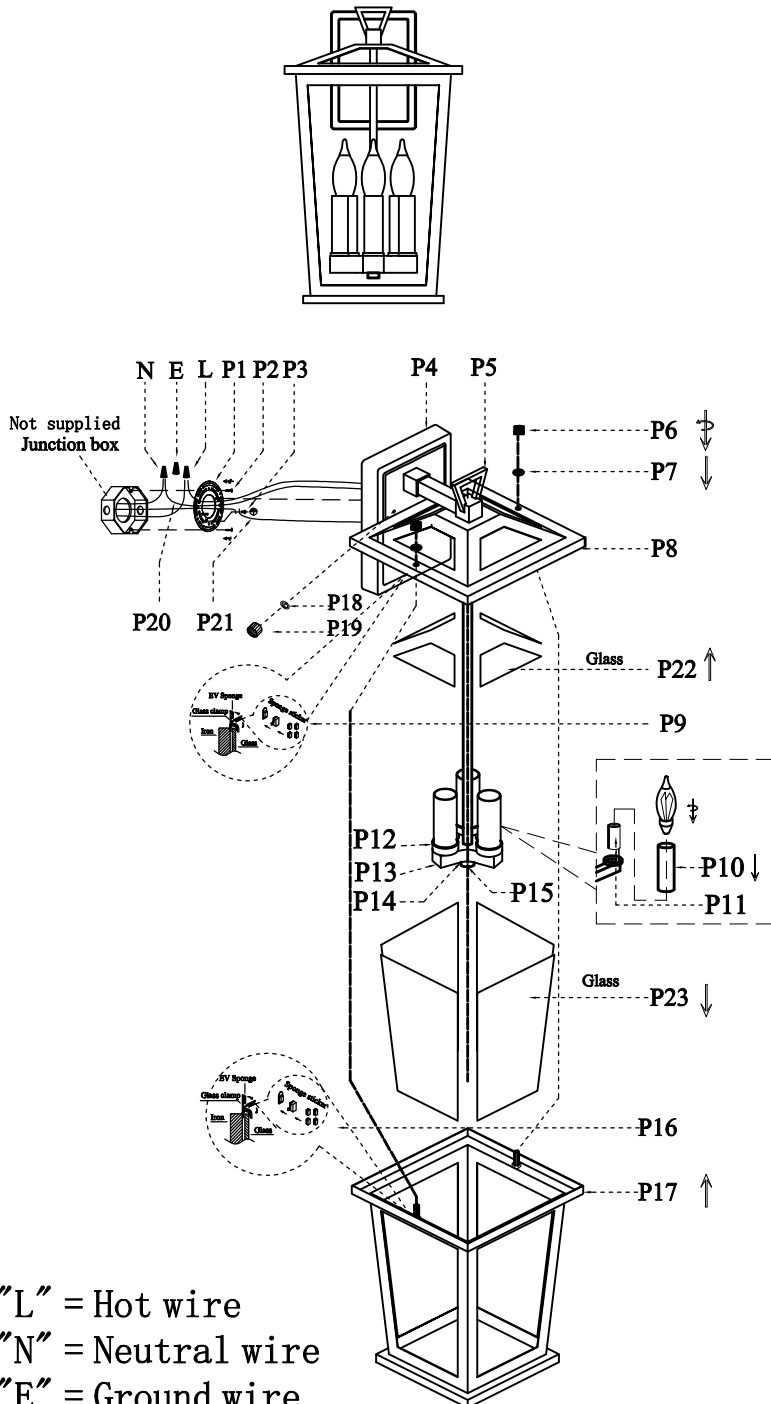


Collection: Cayman  
 Installation manual for:

**OD332W16BK W9.5" H16" E10.5" L3**

**Installation instructions:**

1. Install tube(P10) on lamp holder
2. Install E12\*3 light source. (Bulbs not supplied) .
3. Put glass(P22) into Connect cover(P8) and stick sponge on clips(P9). Finally cruce clips to fix glass.
4. Put glass(P23) into into body(P17) and stick sponge on clips(P15). Finally cruce clips to fix glass.
5. Connect cover(P8) with body(P16) and use rubber ring(P6) with screw caps to fixable.
6. Secure mounting bracket to the junction box
7. Black wire from ceiling(junction box) attaches to "L" wire from the fixture
8. White wire from ceiling(junction box) attaches to "N" wire from the fixture
9. "E" wire from the ceiling attaches to "E" wire from the fixture.
10. Use rubber ring(P18) and screw(P19) to fix lamp with wall mounted.



"L" = Hot wire  
 "N" = Neutral wire  
 "E" = Ground wire

Part Number	Part	Picture	Description	Qty	
MB12W01	P1		Mounting bracket Ø3.94	1	
	P2		Mounting bracket screw M4	2	
	P3		Screw M4	1	
P-OD332W16BK-1	P4		160*115*25MM Box	1	
	P5		130*50*50MM Ring	1	
	P6		Screw cap	2	
	P7		Rubber ring	2	
	P8		240*240*H40MM Cover	1	
	P9		EV Sponge Sponge sticker	12	
	P10		Ø22*H80MM Tube	3	
	P11		E12 Holder	3	
	P12		Ø23*5MM Cover	3	
	P13		120*74*23MM T-Box	1	
	P14		117*71MM T-Plate	1	
	P15		Ø15*8MM Column parts	1	
	P16		EV Sponge Sponge sticker	12	
	P17		235*235*319MM Body	1	
	P18		Rubber ring	2	
	P19		Screw cap	2	
	P20		UL18#Ground wire,L9.8"	1	
	P21		UL18#,L12"Black+White	1	
	GP12L14	P22		196*82MM Glass	4
		P21		197*296MM Glass	4