

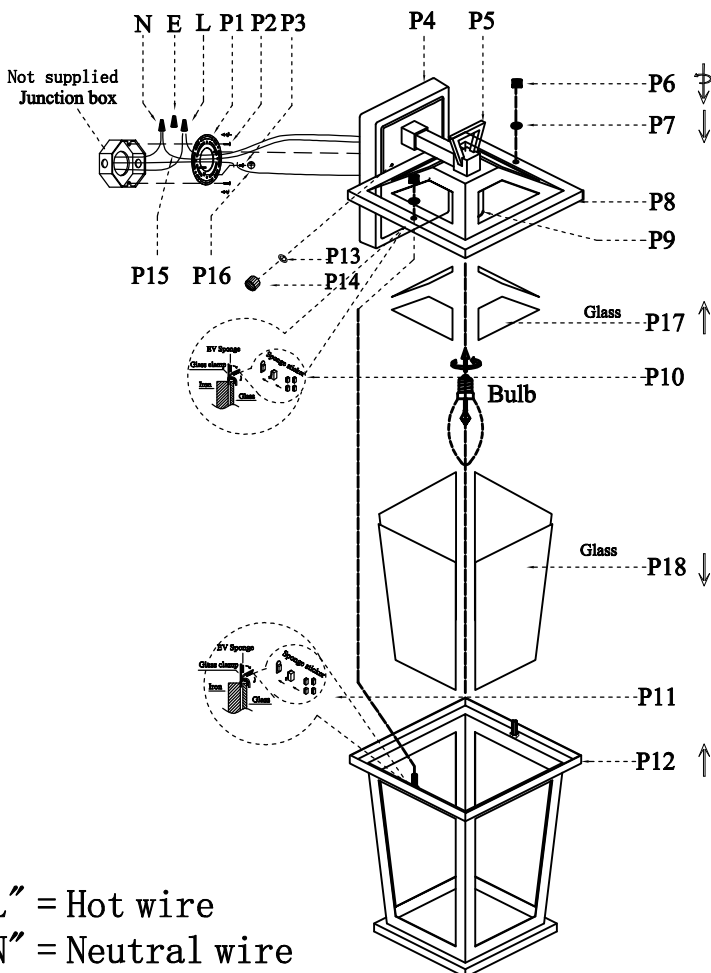
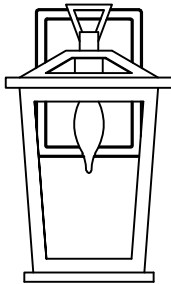
Collection: Cayman

Installation manual for:

OD332W12BK W7" H12" E8" L1

Installation instructions:

1. Install E12 light source. (Bulbs not supplied).
2. Put glass (P17) into Connect cover (P8) and stick sponge on clips (P10). Finally cruce clips to fix glass.
3. Put glass (P18) into into body (P12) and stick sponge on clips (P11). Finally cruce clips to fix glass.
4. Connect cover (P8) with body (P12) and use rubber ring (P6) with screw caps to fixable.
5. Secure mounting bracket to the junction box
6. Black wire from ceiling (junction box) attaches to "L" wire from the fixture
7. White wire from ceiling (junction box) attaches to "N" wire from the fixture
8. "E" wire from the ceiling attaches to "E" wire from the fixture.
9. Use rubber ring (P13) and screw (P14) to fix lamp with wall mounted.



Part Number	Part	Picture	Description	Qty
MB12W01	P1		Mounting bracket Ø3.94	1
	P2		Mounting bracket screw M4	2
	P3		Screw M4	1
P-OD332W12BK-1	P4		160*115*25MM Box	1
	P5		100*50*50MM Ring	1
	P6		Screw cap	2
	P7		Rubber ring	2
	P8		180*180*H40MM Cover	1
	P9		E12 Holder	1
	P10		EV Sponge Sponge sticker	12
	P11		EV Sponge Sponge sticker	12
	P12		175*175*219MM Body	1
	P13		Rubber ring	2
	P14		Screw cap	2
	P15		UL18#Ground wire, L9.8"	1
	P16		UL18#, L12" Black+White	1
	GP12L13	P17		137*55MM Glass
P18			137*196MM Glass	4

"L" = Hot wire
 "N" = Neutral wire
 "E" = Ground wire