



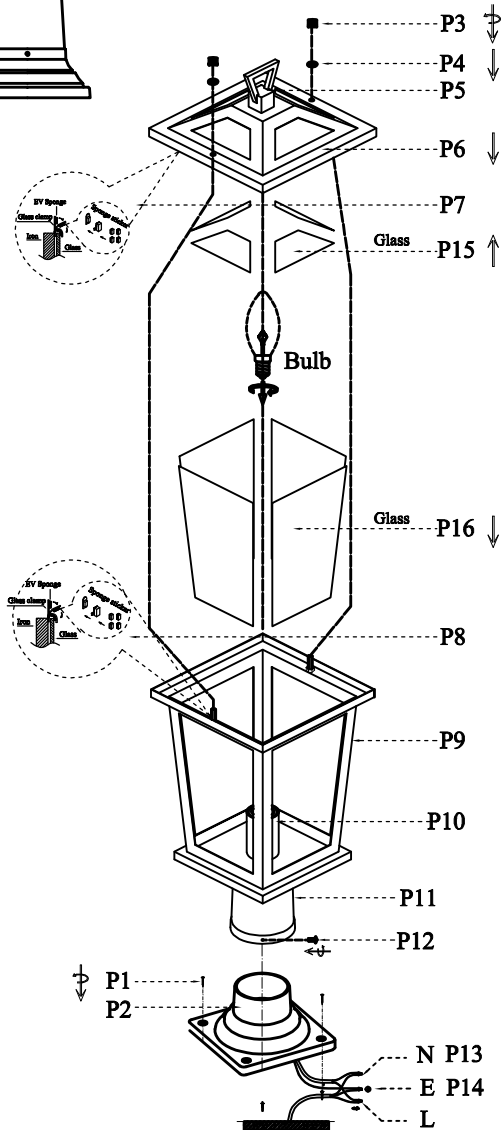
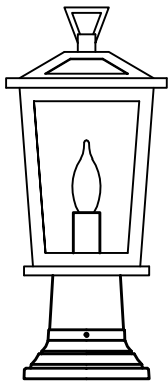
Collection: Cayman

Installation manual for:

OD332P17BK L7" W7" H16.5" L1

Installation instructions:

1. Install E12 light source. (Bulbs not supplied).
2. Put glass (P15) into Connect cover (P6) and stick sponge on clips (P7). Finally cruce clips to fix glass.
3. Put glass (P16) into into body (P9) and stick sponge on clips (P8). Finally cruce clips to fix glass.
4. Connect cover (P6) with body (P9) and use rubber ring (P3) with screw caps to fixable.
5. Black wire from ceiling (junction box) attaches to "L" wire from the fixture
6. White wire from ceiling (junction box) attaches to "N" wire from the fixture
7. "E" wire from the ceiling attaches to "E" wire from the fixture.
8. Use explosion screw to fix location and use explotion screw (P1) to screw base (P2).
9. Put lamp body into base (P2) and use screw in (P12)



Part Number	Part	Picture	Description	Qty	
LB12P01	P1		Explosion screw M4	4	
	P2		5.5*2.95" Lamp base	1	
P-OD332P17BK-1	P3		Screw cap	2	
	P4		Rubber ring	2	
	P5		50*50*20 Ring	1	
	P6		180*180*H40MM Cover	1	
	P7		EV Sponge Sponge sticker	12	
	P8		EV Sponge Sponge sticker	12	
	P9		175*175*219MM Body	1	
	P10		E12 Holder	1	
	P11		lamp pole (3.38*3.22")	1	
	P12		Screws M4	3	
	P13		UL18#,L11.8"Black+White	1	
	P14		UL18#Ground wire,L9.8"	1	
	GP12L13	P15		137*55MM Glass	4
		P16		137*196MM Glass	4

"L" = Hot wire
"N" = Neutral wire
"E" = Ground wire