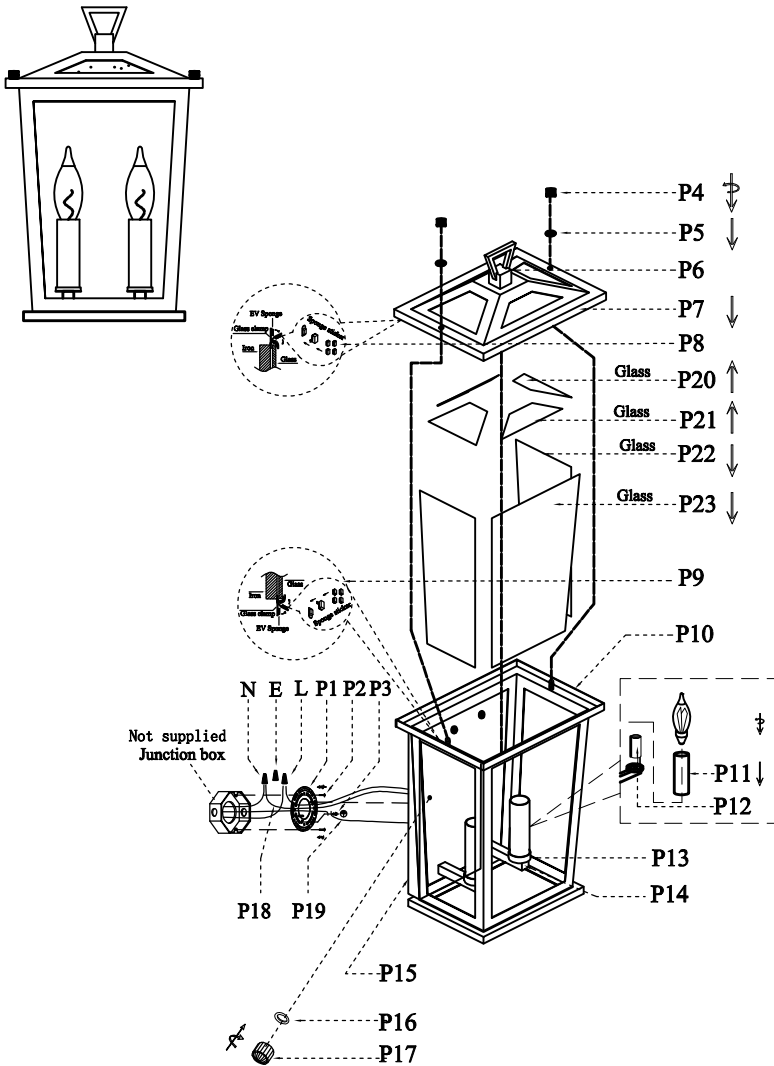


Collection:Richmond
 Installation manual for:

OD331W14BK W8.5" H14" E6.5" L2

Installation instructions:

- 1.Install tube(P11)on lamp holder
- 2.Install E12*2 light source.(Bulbs not supplied) .
- 3.Put glass(P20,P21)into Connect cover(P7) and stick sponge on clips(P8).Finally cruve clips to fix glass.
- 4.Put glass(P22,P23)into into body(P10) and stick sponge on clips(P9).Finally cruve clips to fix glass.
- 5.Connect cover(P7)with body(P10) and use rubber ring(P4) with screw caps to fixable.
- 6.Secure mounting bracket to the junction box
- 7.Black wire from ceiling(junction box) attaches to "L"wire from the fixture
- 8.White wire from ceiling(junction box) attaches to "N"wire from the fixture
- 9."E" wire from the ceiling attaches to "E" wire from the fixture.
- 10.Use rubber ring(P16)and screw(P17) to fix lamp with wall mounted



Part Number	Part	Picture	Description	Qty	
MB12W01	P1		Mounting bracket Ø3.94	1	
	P2		Mounting bracket screw M4	2	
	P3		Screw M4	1	
P-OD331W14BK-1	P4		Screw cap	2	
	P5		Rubber ring	2	
	P6		50*50*20 Ring	1	
	P7		220*150*40MM Cover	1	
	P8		EV Sponge Sponge sticker	12	
	P9		EV Sponge Sponge sticker	9	
	P10		215*145*269MM Body	1	
	P11		Ø22*H80MM Tube	2	
	P12		E12 Holder	2	
	P13		Ø23*5MM Cover	2	
	P14		12*12*75MM Tube	2	
	P15		249*150*H25MM Back plate	1	
	P16		Rubber ring	2	
	P17		Screw cap	2	
	P18		UL18#Ground wire,L9.8"	1	
	P19		UL18#,L12"Black+White	1	
	GP12L11	P20		42*110MM Glass	2
		P21		40*171MM Glass	2
		P22		177*246MM Glass	2
P23			107*246MM Glass	1	

"L" = Hot wire
 "N" = Neutral wire
 "E" = Ground wire