

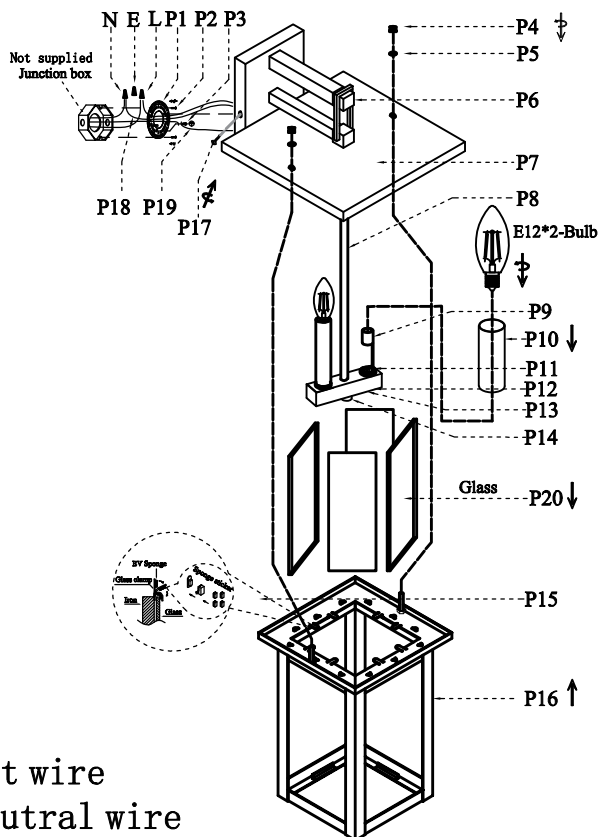
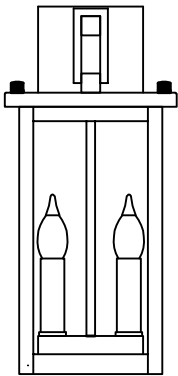
Collection: Venango

Installation manual for:

OD324W15BK W7" H15" E8" L2

Installation instructions:

1. Install tube(P10) on lamp holder
2. Install E14*2 light source. (Bulbs not supplied) .
3. Put glass(P20) into body(P16) and stick sponge on clips(P15). Finally curve clips to fix glass.
4. Connect cover(P7) with body(P16) and use rubber ring(P4) and screw caps to fixable.
5. Secure mounting bracket(P1) to the junction box
6. Black wire from ceiling(junction box) attaches to "L" wire from the fixture
7. White wire from ceiling(junction box) attaches to "N" wire from the fixture
8. "E" wire from the ceiling attaches to "E" wire from the fixture.
9. Use screw(P17) to fix lamp with wall mounted



"L" = Hot wire
 "N" = Neutral wire
 "E" = Ground wire

Part Number	Part	Picture	Description	Qty
MB12W01	P1		Mounting bracket Ø3.94	1
	P2		Mounting bracket screw M4	2
	P3		Screw M4	1
P-OD324W15BK-1	P4		Screw cap	2
	P5		Rubber ring	2
	P6		125*110*150MM Arm	1
	P7		180*180*15MM Cover	1
	P8		Ø9.3*257MM Tube	1
	P9		E12 Holder	2
	P10		Ø22*H80MM Tube	2
	P11		Ø23*5MM Cover	2
	P12		107*28*23MM Box	1
	P13		105*26MM Plate	1
	P14		Ø15*H8MM Column parts	1
	P15		EV Sponge Sponge sticker	12
	P16		175*175*290MM Body	1
	P17		Screw M4	2
	P18		UL18#Ground wire,L9.8"	1
	P19		UL18#,L12"Black+White	1
	GP12L4	P20		L275*W138MM Glass