



ELEGANT

FURNITURE & LIGHTING™

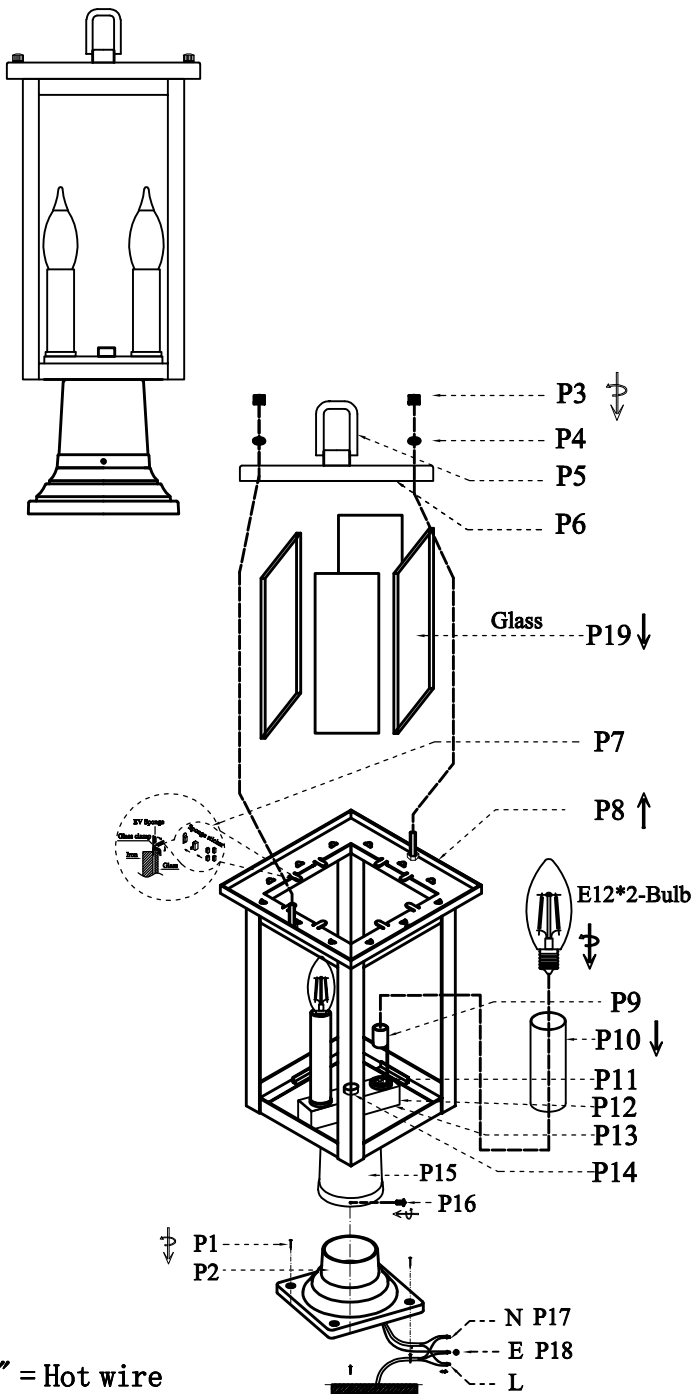
Collection: Venango

Installation manual for:

OD324P19BK L7" W7" H19" L2

Installation instructions:

1. Put tube(P10) on lamp holder
2. Install E12*2 light source.(Bulbs not supplied) .
3. Put glass(P14) into body(P8) and stick sponge on clips(P7). Finally cruce clips to fix glass.
4. Connect cover(P6)with body(P8) and use rubber ring(P3) with screw caps to fixable.
5. Black wire from ceiling(junction box) attaches to "L" wire from the fixture
6. White wire from ceiling(junction box) attaches to "N" wire from the fixture
7. "E" wire from the ceiling attaches to "E" wire from the fixture.
8. Use explosion screw to fix location and use explosion screw(P1) to screw base(P2).
9. Put lamp body into base(P2) and use screw in(P11)



"L" = Hot wire
 "N" = Neutral wire
 "E" = Ground wire

Part Number	Part	Picture	Description	Qty
LB12P01	P1		Explosion screw M4	4
	P2		5.5"*2.95" Lamp base	1
P-OD324P19BK-1	P3		Screw cap	2
	P4		Rubber ring	2
	P5		32*50MM Ring	1
	P6		180*180*15MM Box	1
	P7		EV Sponge Sticker	12
	P8		175*175*290MM Body	1
	P9		E12 Holder	2
	P10		∅ 22*H80MM Tube	2
	P11		∅ 23*5MM cover	2
	P12		107*28*23MM Box	1
	P13		105*26MM iron piece	1
	P14		∅ 15*H8MM Column part	1
	P15		lamp pole (3.38"*3.22")	1
	P16		Screws M4	3
	P17		UL18#,L11.8"Black+White	1
	P18		UL18#Ground wire,L9.8"	1
	GP12L4	P19		L275*W135MM Glass