

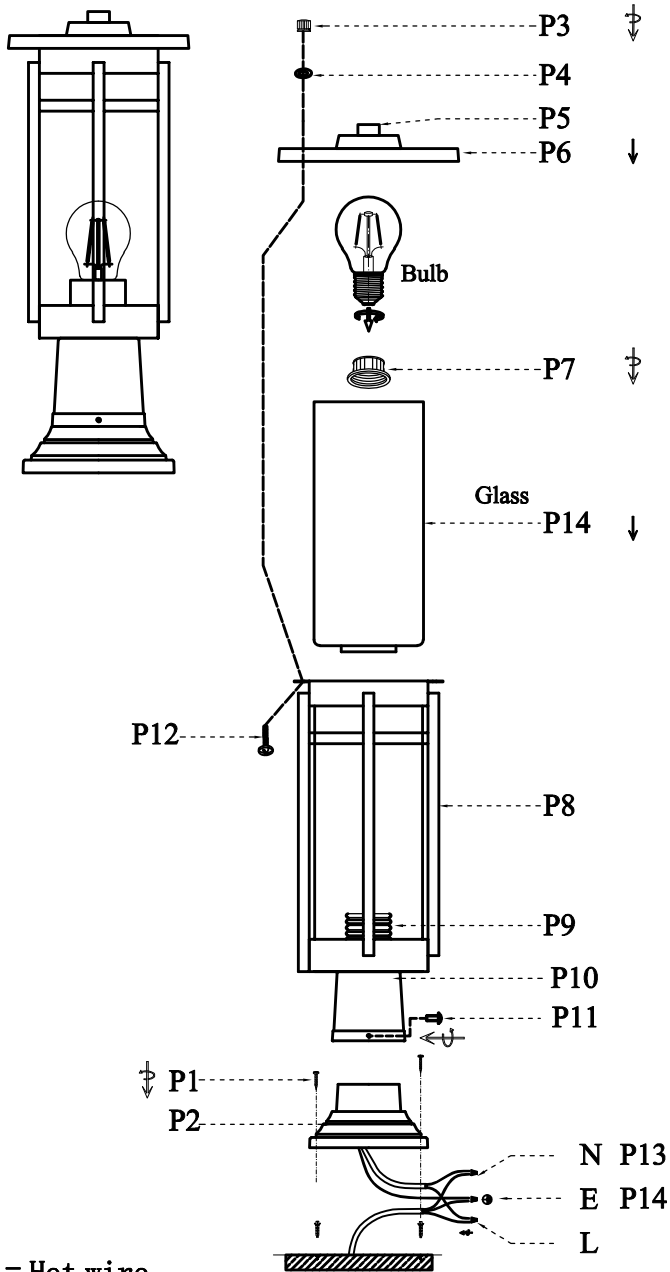
Collection:Livingston

Installation manual for:

OD321P17BK W6.5" H17" E6.5" L1

**Installation instructions:**

1. Install glass (P15) to lamp body(P8) .
- 2.Use socket ring(P7) to lock in glass (P15)
- 3.Install E26 light source.(Bulbs not supplied) .
4. Connect cover(P6)with body(P8) and use rubber ring(P4) with screw caps(P3) to fixable.
- 5.Black wire from ceiling(junction box) attaches to "L"wire from the fixture
- 6.White wire from ceiling(junction box) attaches to "N"wire from the fixture
- 7."E" wire from the ceiling attaches to "E" wire from the fixture.
- 8.Use explosion screw (P1)to fix base(P2) into land
- 9.Put lamp pole (P10) into base (P2)and use screw (P11) to lock in.



"L" = Hot wire  
"N" = Neutral wire  
"E" = Ground wire

Part Number	Part	Picture	Description	Qty	
LB12P01	P1	↑ ↑	Explosion screw M4	4	
	P2		5.5"*2.95" Lamp base	1	
P-OD321P17BK-1	P3		Screw cap	2	
	P4		Rubber ring	2	
	P5		Ø20*12MM Column parts	1	
	P6		167*167*24MM Cover	1	
	P7		Socket ring	1	
	P8		145*110*280MM Body	1	
	P9		E26 Holder	1	
	P10		lamp pole (3.38"*3.22")	1	
	P11		Screws M4	3	
	P12		Mounting bracket screw M4	2	
	P13		UL18#,L11.8"Black+White	1	
	P14		UL18#Ground wire,L9.8"	1	
	GS12L12	P15		100*100*240MM Glass	1