

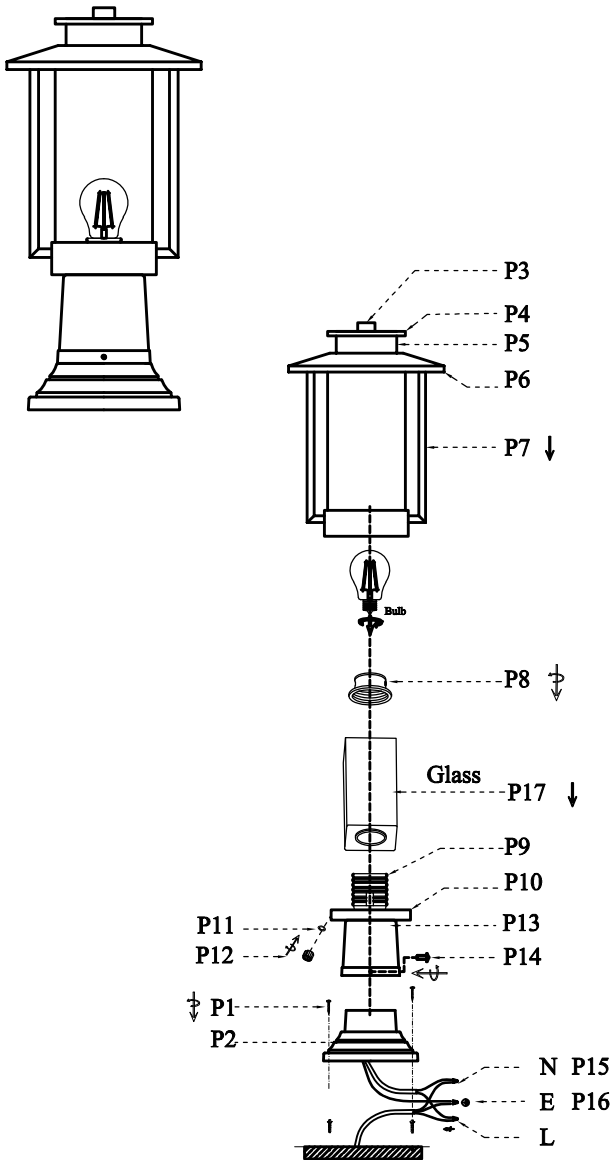
Collection:Tioga

Installation manual for:

OD317P15BK L7" H15" E5" L1

**Installation instructions:**

- 1.Put glass(P17)into body(P7)
- 2.Put socket ring(P8) into lamp body and twist to lock in glass
- 3.Install E26 light source.(Bulbs not supplied) .
- 4.with body(P7) Connect cover(P10)and use rubber ring(P12) with screw caps to fixable.
- 5.Black wire from ceiling(junction box) attaches to "L"wire from the fixture
- 6.White wire from ceiling(junction box) attaches to "N"wire from the fixture
- 7."E" wire from the ceiling attaches to "E" wire from the fixture.
- 8.Use explosion screw to fix location and use explosion screw(P1) to screw base(P2).
- 9.Put lamp body into base(P2) and use screw in(P14)



Part Number	Part	Picture	Description	Qty	
LB12P01	P1	↑ ↓	Explosion screw M4	4	
	P2		5.5"*2.95" Lamp base	1	
P-OD317P15BK-1	P3		∅20*12MM Column part	1	
	P4		90*90*6MM Box	1	
	P5		70*70*25MM Box	1	
	P6		L180*W120*H24MM Cover	1	
	P7		L138*W98*210MM Body	1	
	P8		Socket ring	1	
	P9		E26 Holder	1	
	P10		92*92*15MM Box	1	
	P11		Rubber ring	2	
	P12		Screw cap	2	
	P13		lamp pole (3.38"*3.22")	1	
	P14		Screws M4	3	
	P15		UL18#,L11.8"Black+White	1	
	P16		UL18#Ground wire,L9.8"	1	
	GS12L9	P17		90*90*180MM Glass	1

"L" = Hot wire  
 "N" = Neutral wire  
 "E" = Ground wire