

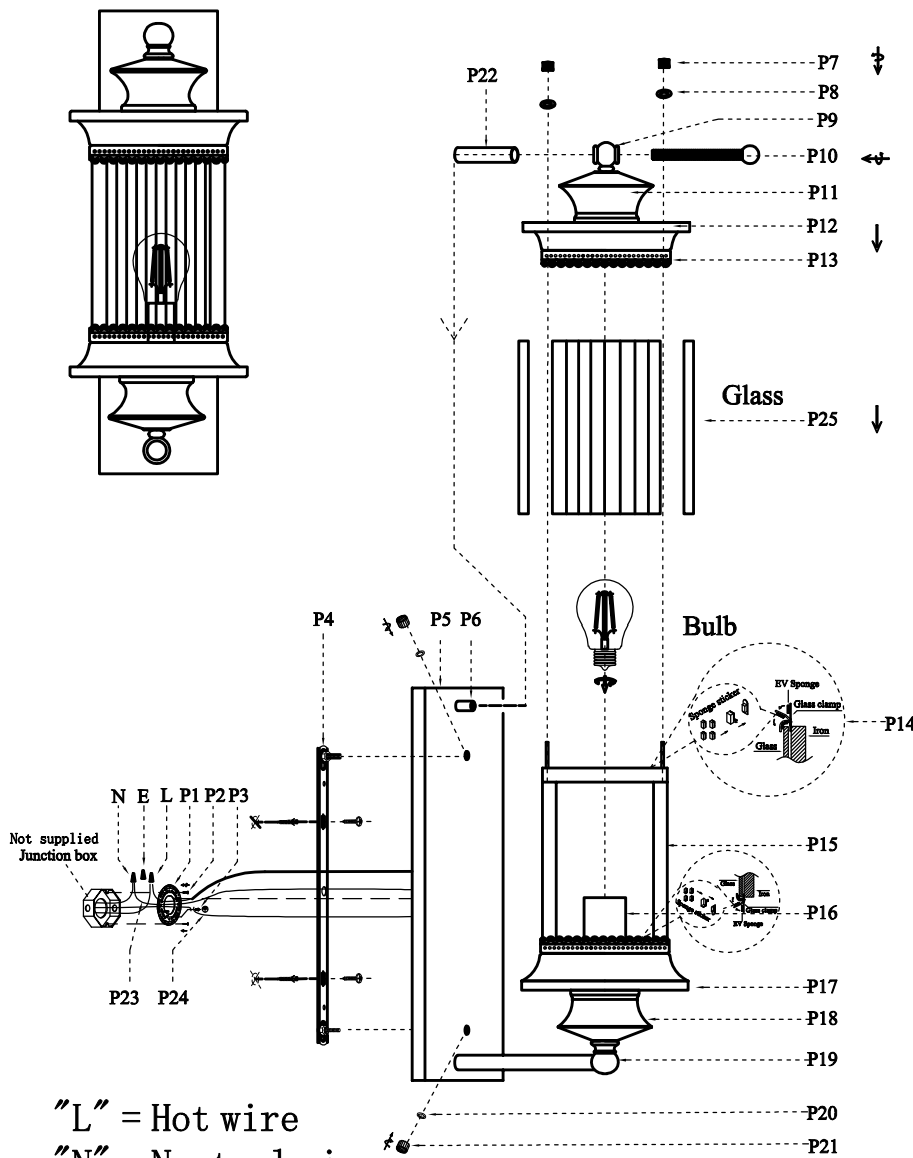
Collection:Collins

Installation manual for:

OD316W19BK W7" H18.5" E9" L1

Installation instructions:

1. Install E26 light source. (Bulbs not supplied)
2. Put glass (P25) into body (P15) and stick sponge mat on clips. Finally curve clips to fixed glass.
3. Connect cover (P13) with body (P15) and use rubber ring (P8) with screw caps (P7) to fixable.
4. Screw (P10) cross by dome (P9, P22) and twist into column tube (P6)
5. Secure mounting bracket (P1) to the junction box
6. Black wire from ceiling (junction box) attaches to "L" wire from the fixture
7. White wire from ceiling (junction box) attaches to "N" wire from the fixture
8. "E" wire from the ceiling attaches to "E" wire from the fixture.
9. Use rubber ring (P20) and screw cap (P21) fixable lamp into wall mounted



"L" = Hot wire
"N" = Neutral wire
"E" = Ground wire

Part Number	Part	Picture	Description	Qty	
MB12W01	P1		Mounting bracket Ø3.94	1	
	P2		Mounting bracket screw M4	2	
	P3		Screw M4	1	
P-OD316W19BK-1	P4		L=350 Bracket	1	
	P5		470*120*25MM Back Plate	1	
	P6		Ø13*20MM Column tube	1	
	P7		Screw cap	2	
	P8		Rubber ring	2	
	P9		27*27*34MM Dome	1	
	P10		Ø20MM Screw	1	
	P11		Ø98*54MM Cap-A	1	
	P12		185*185*10MM Box-A	1	
	P13		180*180*53MM Cover	1	
	P14		EV Sponge Sponge sticker	16	
	P15		180*180*235MM Body	1	
	P16		E26 Holder	1	
	P17		185*185*10MM Box-B	1	
	P18		Ø98*54MM Cop-B	1	
	P19		125*35*30MM Arm	1	
	P20		Rubber ring	2	
	P21		Screw cap	2	
	P22		Ø16*94MM Column tube	1	
	P23		UL18#Ground wire, L9.8"	1	
	P24		UL18#, L12"Black+White	1	
	GP12L2	P25		125*195MM Glass	4