



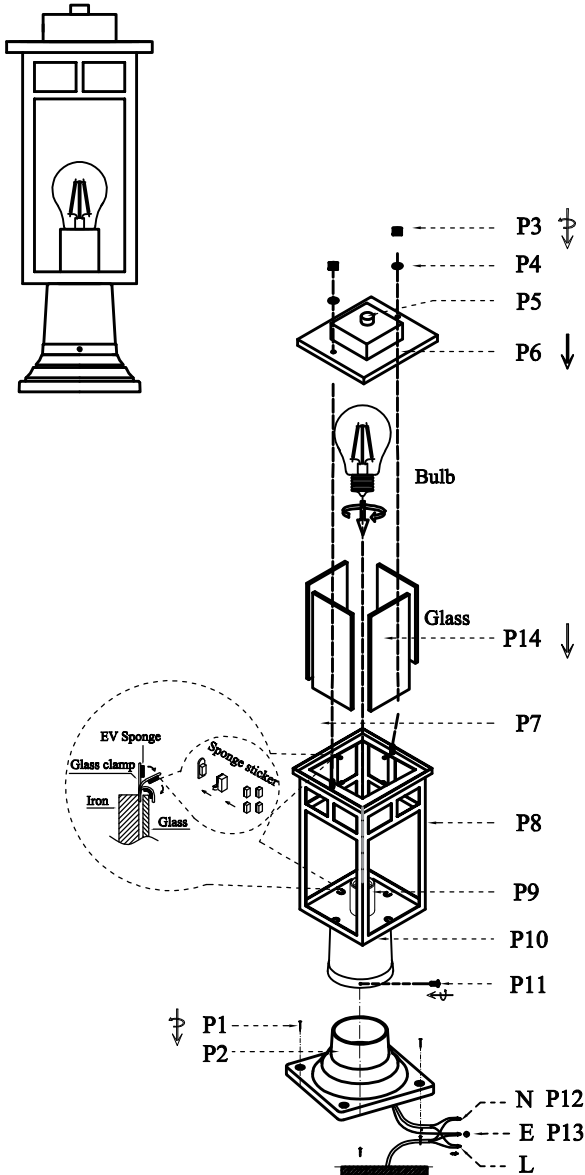
Collection:Mercer

Installation manual for:

OD313P18BK L6.5" W6.5" H17.5" L1

**Installation instructions:**

- 1.Put glass sheet(P14)into body(P8) and stick sponge mat on glass clips(P7).Finally curve clips to fixable glass.
2. Install E26 light source.(Bulbs not supplied)
- 3.Connect cover(P6)with body(P8) and use rubber ring(P4) with screw caps(P3) to fixable.
- 5.Black wire from ceiling(junction box) attaches to "L"wire from the fixture
- 6.White wire from ceiling(junction box) attaches to "N"wire from the fixture
- 7."E" wire from the ceiling attaches to "E" wire from the fixture.
- 8.Use explosion screw to fix location and use explosion screw(P1) to screw base(P2).
- 9.Put lamp pole(P10)into base(P2) and use screw (P11)lock in



Part Number	Part	Picture	Description	Qty	
LB12P01	P1	↑ ↓	Explosion screw M4	4	
	P2		5.5"*2.95" Lamp base	1	
P-OD313P18BK-1	P3		Screw cap	2	
	P4		Rubber ring	2	
	P5		Ø20*12MM Column parts	1	
	P6		160*160*42MM Cover	1	
	P7		EV Sponge Sponge sticker	8	
	P8		155*155*265MM Body	1	
	P9		E26 Holder	1	
	P10		lamp pole (3.38"*3.22")	1	
	P11		Screws M4	3	
	P12		UL18#,L11.8"Black+White	1	
	P13		UL18#Ground wire,L9.8"	1	
	GP12L1	P14		L252*W115MMMM Glass	4

"L" = Hot wire  
"N" = Neutral wire  
"E" = Ground wire