



**ELEGANT**  
FURNITURE & LIGHTING™

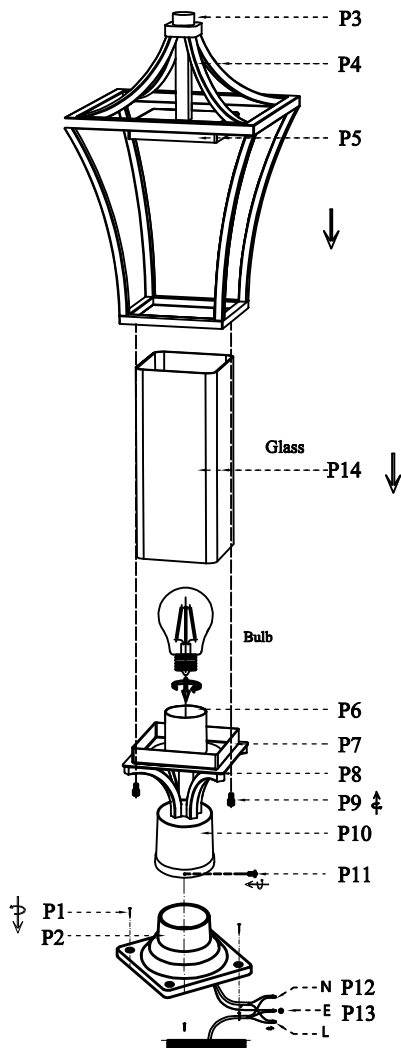
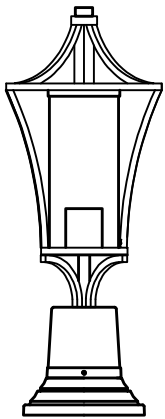
Collection:Belgrade

Installation manual for:

OD311P19BK L7" W7" H19" L1

**Installation instructions:**

1. Install E26 light source.(Bulbs not supplied) .
2. Install glass sheet (P14) to lamp body(P4)
3. Connect cover(P8)with body(P7) and put rubber ring and screw(P9) to fixable
4. Black wire from ceiling(junction box) attaches to "L"wire from the fixture
5. White wire from ceiling(junction box) attaches to "N"wire from the fixture
6. "E" wire from the ceiling attaches to "E" wire from the fixture.
7. Use explosion screw to fix location and use explosion screw(P1) to screw base(P2).
8. Put lamp pole( P10)into base(P2) and use screw (P11) lock in.



Part Number	Part	Picture	Description	Qty
LB12P01	P1		Explosion screw M4	4
	P2		5.5"*2.95" Lamp base	1
P-OD311P19BK-1	P3		Ø20*12MM Column parts	1
	P4		180*180*280MM Body	1
	P5		85*85*10MM Cover	1
	P6		E26 Holder	1
	P7		85*85*10MM Box	1
	P8		105*105*61MM Bottom bracket	1
	P9		Screw M4	2
	P10		lamp pole (3.38"*3.22")	1
	P11		Screws M4	3
	P12		UL18#,L11.8"Black+White	1
	P13		UL18#Ground wire,L9.8"	1
	GS12R2	P14		80*80*203MM Glass

"L" = Hot wire  
 "N" = Neutral wire  
 "E" = Ground wire