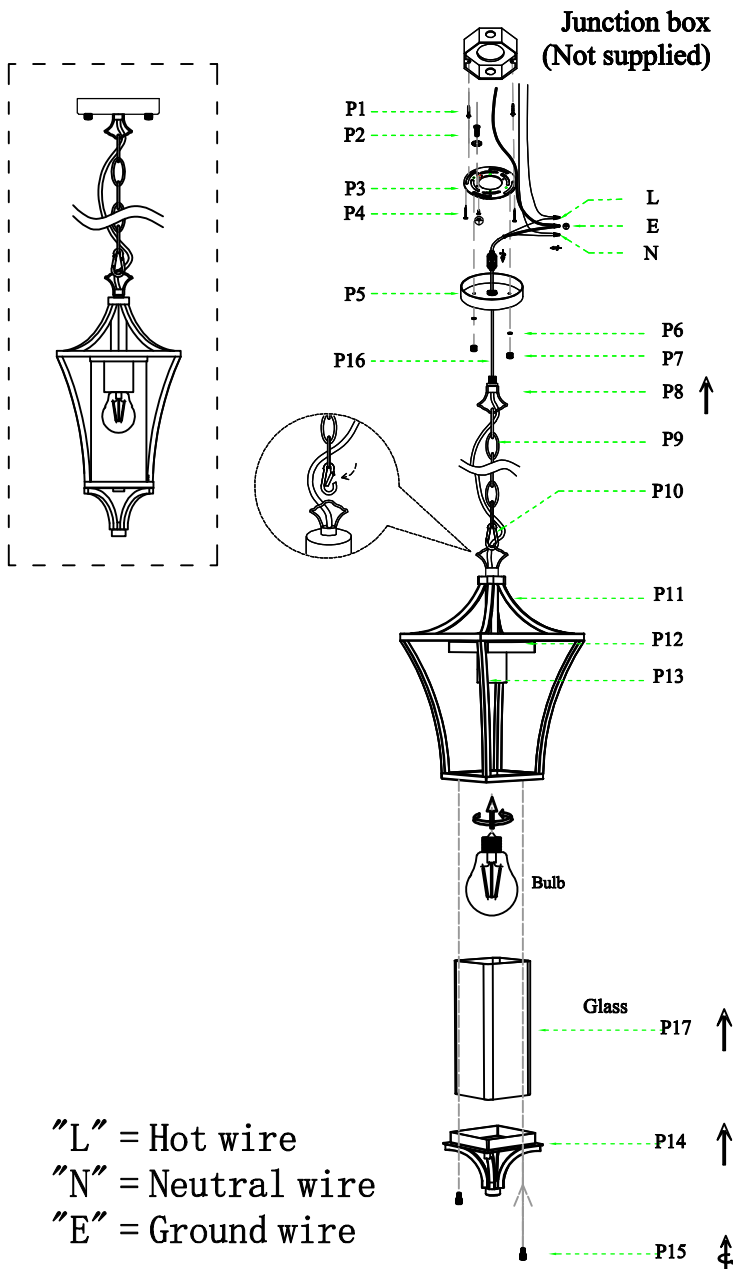


**Collection:Belgrade**  
**Installation manual for:**

**OD311H15BK L7" W7" H15" L1**

**Installation instructions:**

- 1.Install E26 light source.(Bulbs not supplied)
- 2.Put glass(P17)into body(P5) up side and use bottom bracket(P14) to fix it.And then find out hole from body edge and bottom bracket also.Keep them in straight line .Fianlly use screws(P11) to lock it.
- 3.Secure mounting bracket to the junction box
- 4.Use hook(P10)connect(P11).Twist off screw and mat from the hanging ring(P8) and across the middle hole of canopy(P5 ) and use screw and mat lock in again.
- 5.Use explosion screw (P1) to ceiling
- 6.Use screw(P4) fixable mounting bracket(P3)
- 7.Black wire from ceiling(junction box) attaches to "L"wire from the fixture
- 8.White wire from ceiling(junction box) attaches to "N"wire from the fixture
- 9."E" wire from the ceiling attaches to "E" wire from the fixture.
- 10.Screw (P2) through to canopy hole(P5) and then put rubber ring(P6) and twist screw cap(P7) to fixable



Part Number	Part	Picture	Description	Qty
CP12H01BK	P1		Explosion screw	2
	P2		Screws M4	2
	P3		Mounting bracket Ø3.94	1
	P4		Screws M4	2
	P5		Canopy(Ø4.7"*0.78")	1
	P6		Rubber ring	2
	P7		Screw cap	2
Chain04PBK	P8		Hanging rings L1.57"*W0.59"*H1.57"	1
	P9		Chain (L39")	1
	P10		Hook (L1.57"*W0.78"*H0.15")	1
P-OD311H15BK-1	P11		180*180*280MM Body	1
	P12		85*85*10MM Box	1
	P13		E26 Holder	1
	P14		105*105*61MM Bottom Bracket	1
	P15		Screw M4	2
Cord-59-18#-BK	P16		UL18#, L59"Black	1
GS12R2	P17		80*80*203MM Glass	1

"L" = Hot wire  
"N" = Neutral wire  
"E" = Ground wire