



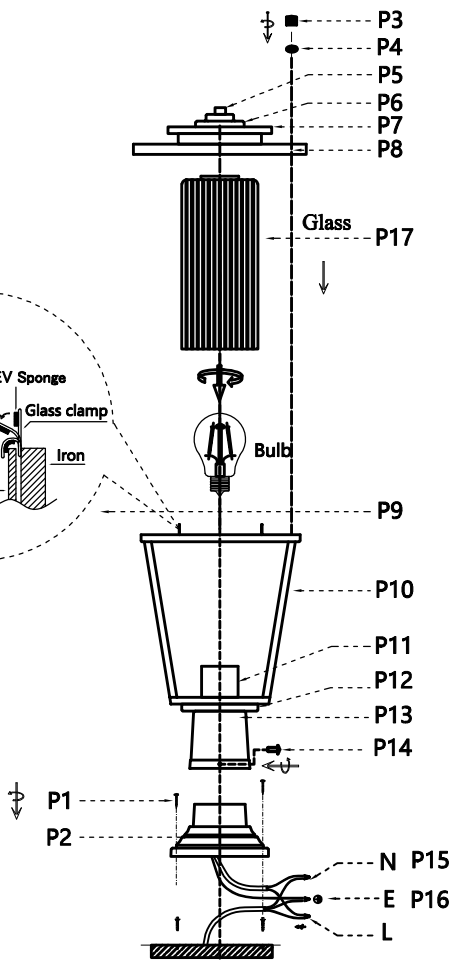
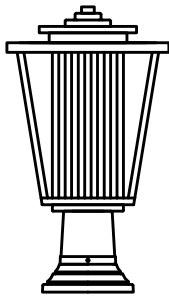
Collection: York

Installation manual for:

OD305P18BK L10" H17.5" E10" L1

Installation instructions:

1. Install E26 light source. (Bulbs not supplied).
2. Put glass (P17) into body (P10) and stick sponge on clips (P9). Finally curve clips to fix glass.
3. Connect cover (P8) and lamp body (P10) with screw (P3) and rubber ring (P4).
4. Black wire from ceiling (junction box) attaches to "L" wire from the fixture.
5. White wire from ceiling (junction box) attaches to "N" wire from the fixture.
6. "E" wire from the ceiling attaches to "E" wire from the fixture.
7. Use explosion screw to fix location and use explosion screw (P1) to screw base (P2).
8. Put lamp pole (P11) into base (P2) and use screw in (P13)



Part Number	Part	Picture	Description	Qty	
LB12P01	P1	↑ ↓	Explosion screw M4	4	
	P2		5.5"*2.95" Lamp base	1	
P-OD305P18BK-1	P3		Screw cap	2	
	P4		Rubber ring	2	
	P5		Ø20*12MM Column parts	1	
	P6		70*70*18MM Box	1	
	P7		150*150*25MM Box	1	
	P8		250*250*15MM Cover	1	
	P9		EV Sponge Sponge sticker	4	
	P10		230*230*245MM Body	1	
	P11		E26 Holder	1	
	P12		110*110*10MM Box	1	
	P13		lamp pole (3.38"*3.22")	1	
	P14		Screws M4	3	
	P15		UL18#,L12"Black+White	1	
	P16		UL18#Ground wire,L9.8"	1	
	GS12L4	P17		110*110*240MM Glass	1