



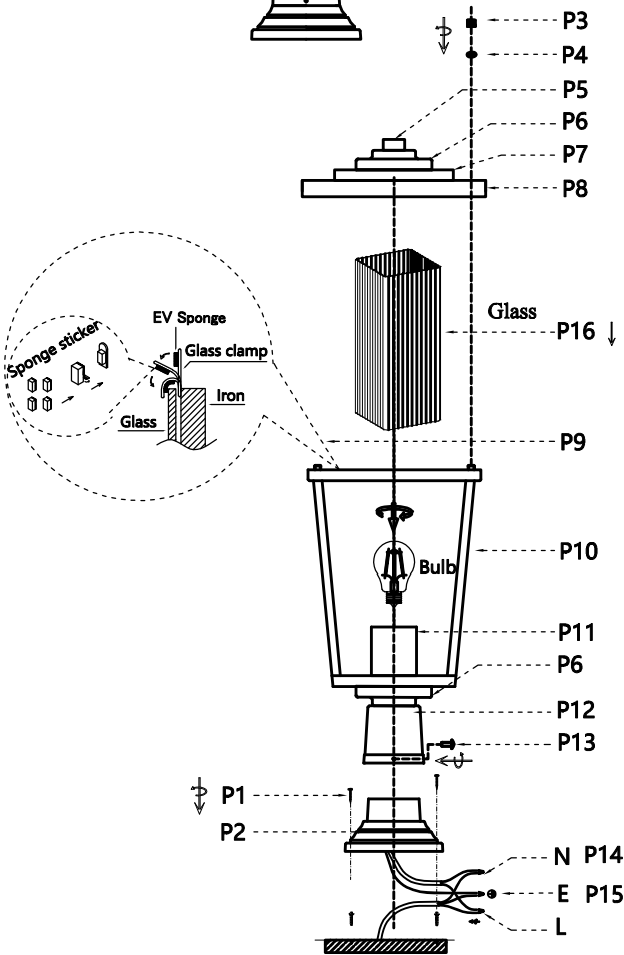
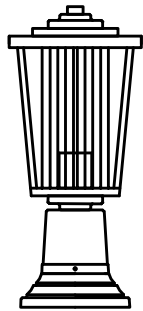
Collection: York

Installation manual for:

OD305P16BK L6.5" H15.5" E6.6" L1

Installation instructions:

1. Install E26 light source. (Bulbs not supplied)
2. Put glass (P16) into body (P10) and stick sponge on clips (P9). Finally curve clips to fix glass
3. Connect cover (P8) with body (P10) and put rubber ring (P3) and screw (P4) to fixable
4. Black wire from ceiling (junction box) attaches to "L" wire from the fixture
5. White wire from ceiling (junction box) attaches to "N" wire from the fixture
6. "E" wire from the ceiling attaches to "E" wire from the fixture.
7. Use explosion screw to fix location and use explosion screw (P1) to screw base (P2).
8. Put lamp pole (P12) into base (P2) and use screw (P13) lock in.



"L" = Hot wire
"N" = Neutral wire
"E" = Ground wire

Part Number	Part	Picture	Description	Qty	
LB12P01	P1		Explosion screw M4	4	
	P2		5.5*2.95" Lamp base	1	
P-OD305P16BK-1	P3		Screw cap	2	
	P4		Rubber ring	2	
	P5		Ø20*12MM Column parts	1	
	P6		70*70*18MM Cap	2	
	P7		110*110*10MM Box	1	
	P8		170*170*12MM Cover	1	
	P9		EV Sponge Sponge sticker	4	
	P10		160*160*205MM Body	1	
	P11		E26 Holder	1	
	P12		lamp pole (3.38*3.22")	1	
	P13		Screws M4	3	
	P14		UL18#, L12" Black+White	1	
	P15		UL18# Ground wire, L9.8"	1	
	GS12L3	P16		85*85*200MM Glass	1