

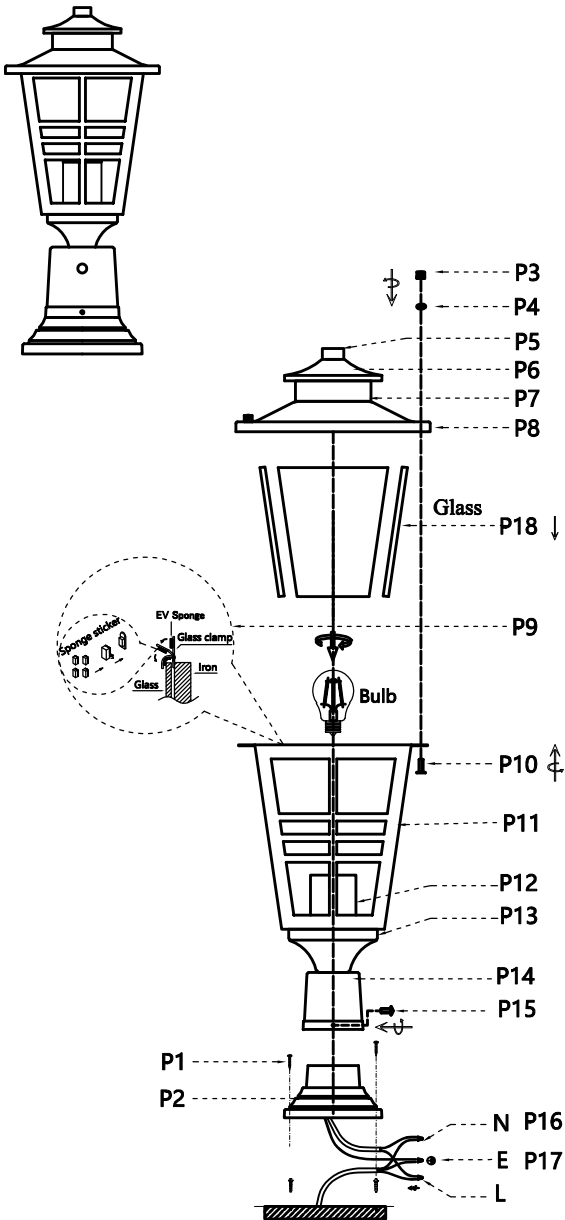
Collection: Macon

Installation manual for:

OD303P16BK L7" W7" H16" L1

**Installation instructions:**

1. Install E26 light source. (Bulbs not supplied) .
2. Put glass(P18) into body(P11) and stick sponge on clips. Finally curve clips to fix glass
3. Connect cover(P8) with body(P11) and put rubber ring(P4) and then lock in body(P11)
4. Black wire from ceiling(junction box) attaches to "L" wire from the fixture
5. White wire from ceiling(junction box) attaches to "N" wire from the fixture
6. "E" wire from the ceiling attaches to "E" wire from the fixture.
7. Use explosion screw to fix location and use explosion screw(P1) to screw base(P2).
8. Put lamp body into base(P2) and use screw in(P15)



"L" = Hot wire  
"N" = Neutral wire  
"E" = Ground wire

Part Number	Part	Picture	Description	Qty	
LB12P01	P1	↑ ↑	Explosion screw M4	4	
	P2		5.5"*2.95" Lamp base	1	
P-OD303P16BK-1	P3		Screw cap	2	
	P4		Rubber ring	2	
	P5		∅ 20*12MM columnar parts	1	
	P6		90*90*20MM cover	1	
	P7		70*70*25MM BOX	1	
	P8		180*180*28MM COVER	1	
	P9		EV Sponge Sponge sticker	12	
	P10		Screw M4	2	
	P11		175*145*170MM body	1	
	P12		E26 Holder	1	
	P13		82*82*40MM base	1	
	P14		Lamp pole (3.38"*3.22")	1	
	P15		Screws M4	3	
	P16		UL18#,L11.8"Black+White	1	
	P17		UL18#Ground wire,L9.8"	1	
	GP12T1	P18		Glass sheet (L5"*W3"*H6.5")	4