

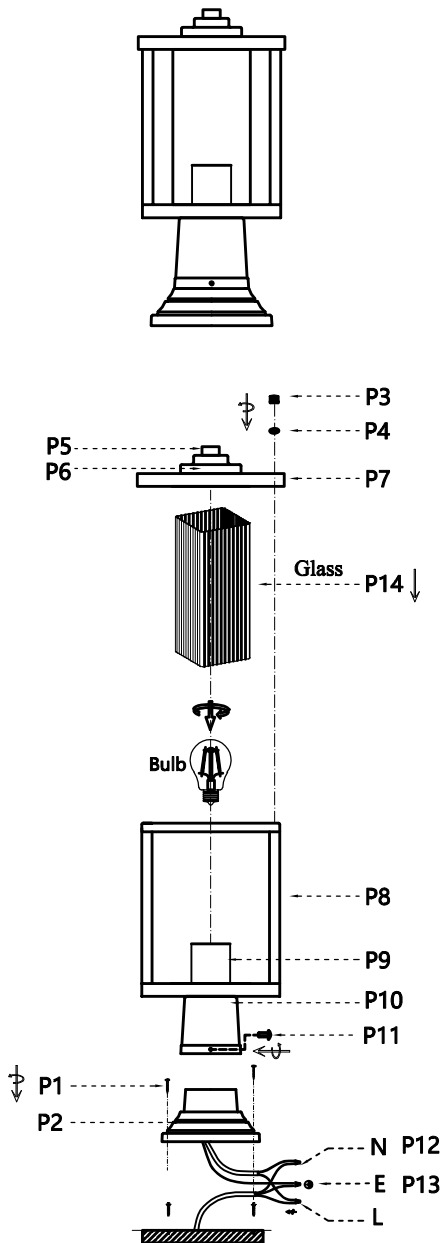
Collection:Dover

Installation manual for:

OD302P15BK L7" H14.5" E7" L1

**Installation instructions:**

- 1.Install E26 light source.(Bulbs not supplied) .
- 2.Put glass(P14)into body(P8)
- 3.Connect cover(P7)with body(P8) and put rubber ring(P4) and screw(P3) to fixable
- 4.Black wire from ceiling(junction box) attaches to "L"wire from the fixture
- 5.White wire from ceiling(junction box) attaches to "N"wire from the fixture
- 6."E" wire from the ceiling attaches to "E" wire from the fixture.
- 7.Use explosion screw (P1)to fix base(P2) into land.
- 8.Put lamp pole (P10) into base (P2)and use screw (P11) to lock in



Part Number	Part	Picture	Description	Qty
LB12P01	P1		Explosion screw M4	4
	P2		5.5*2.95" Lamp base	1
P-0D302P15BK-1	P3		Screw cap	2
	P4		Rubber ring	2
	P5		Ø20*12MM Column parts	1
	P6		70*70*20MM Cap	1
	P7		170*170*15MM Cover	1
	P8		160*160*210MM Body	1
	P9		E26 Holder	1
	P10		lamp pole (3.38*3.22")	1
	P11		Screws M4	3
	P12		UL18#,L12"Black+White	1
	P13		UL18#Ground wire,L9.8"	1
GS12L1	P14		85*85*206MM Glass	1

"L" = Hot wire  
 "N" = Neutral wire  
 "E" = Ground wire