



Installation manual for

2088G30

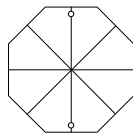
Dimensions : L30" W30" H19" L16(Height Is Adjustable)

Collection : Aurora

Bulb Type : MR16GU10-6.5W 3000K bulb included

Lamp Frame Weight(lbs): 38

Total Weight(lbs) :112



Thank you for choosing our product(s).

Our Company is actively involved in every step of the production.

Our product(s) are designed to be utilized for every application that graces your home or business.

We pride ourselves in providing the most prompt and courtesy service to all of the valued customers.

Please find the enclosed detailed instruction and read carefully for proper installation.

If you have any questions, please contact the retailer Where the purchased was made.

2088G30 L30" W30" H19"L16(Height Is Adjustable)

SAFETY

Warning: MAKE SURE THE ELECTRICITY TO THE WIRES YOU ARE WORKING ON IS SHUT OFF. BY EITHER REMOVING THE FUSE OR TURNING OFF THE CIRCUIT BREAKER.

CAUTION

- Before assembling the lighting fixture, please read all instructions carefully.
- All frame & crystal components are fragile, please handle with care.
- Required supply circuit : 110 - 125V/60Hz
- Labeled wires are "L" for live wire, "N" for neutral wire, "E" for ground wire.
- Never install fixture on damp ceiling, the room should be dry and well ventilated
- All electrical components must be installed by a licensed electrician and in accordance with the National Electrical Code and the appropriate local electrical codes.

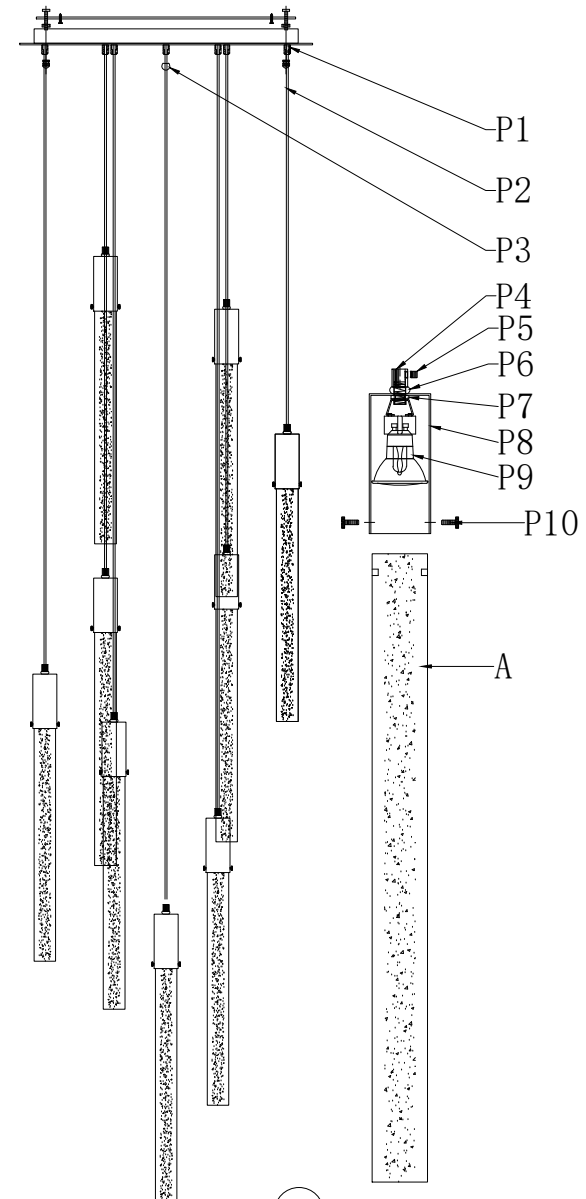
Unpack the Package

Please open the box carefully and check all the items are inside the box. If you have any installation, assembling and missing parts questions, where you purchase from and any other relevant information ready, our customer service team will provide comprehensive and worry free service to our valued customers.

01

2088G30 L30" W30" H19"L16(Height Is Adjustable)

Frame Parts List



02


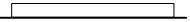

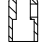




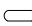

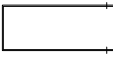
2088G30 L30" W30" H19"L16(Height Is Adjustable)

Step 1

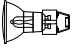


Please use the parts list to ensure you are not missing any parts

2088G30

PARTS LIST

part	picture	Description	Parts Number	Qty	Check list
ZA		Crossbar		1	
ZB		24"Metal canopy		1	
ZC		Knurled nut		4	
P1		0.7"Metal		16	
P2		Power Cord 18# 144"		16	
P3		Metal Decorate the nut		1	
P4		Straight grain iron car parts		16	
P5		M6 plastic headless screw		32	
P6		0.7"abacus bead		16	
P7		Set nut		16	
A P8		5"Metal Tube		16	

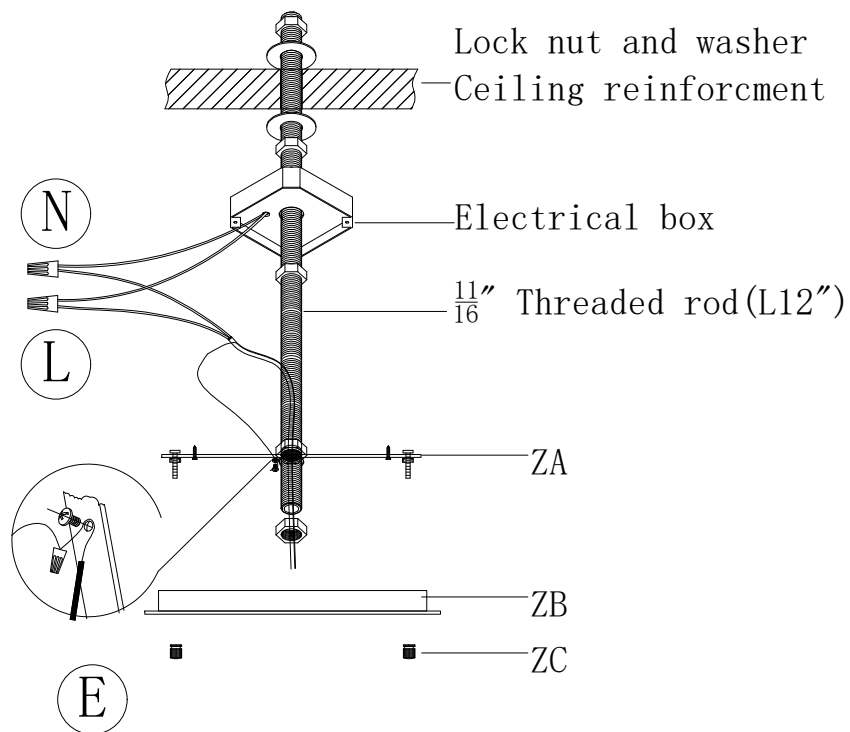
2088G30 L30" W30" H19"L16(Height Is Adjustable)

part	picture	Description	Parts Number	Qty	Check list
P9		GU10 Socket Bulb Attached to the Socket		16	
P10		M4 round straight metal screw		32	
A		14.8"Crystal Rod		16	

2088G30 L30" W30" H19"L16(Height Is Adjustable)

Step 2

Canopy installation instructions



"L" = Hot wire
"N" = Neutral wire
"E" = Ground wire

05

2088G30 L30" W30" H19"L16(Height Is Adjustable)

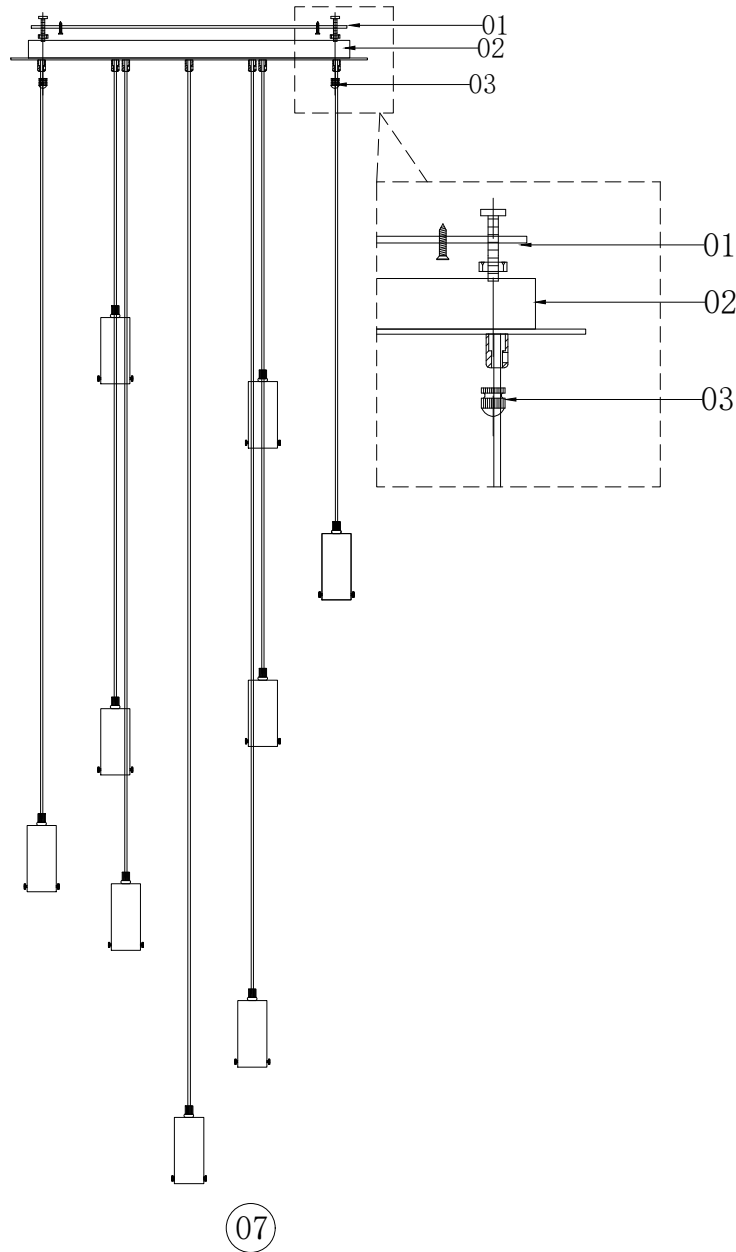
IMPORTANT: Test sockets with bulb before dressing the fixture.

1. Drill a $\phi 0.7$ " hole in the ceiling reinforcement to allow a $\frac{1}{16}$ " threaded rod to pass through.
2. Attach the electrical box to the ceiling reinforcement and pass the $\frac{1}{16}$ " threaded rod through the box.
3. Pass the fixture wires and ground wire through the loop, canopy ring, center hole of canopy.
4. Pull ceiling wires down through the fixture box and make connection.
5. Secure mounting bracket to the junction box.
6. Fix the fixture to the mounting bracket with knurled nuts.

06

2088G30 L30" W30" H19"L16(Height Is Adjustable)

Frame Assembly Diagram



2088G30 L30" W30" H19"L16(Height Is Adjustable)

Step 3

Frame Assembly Instructions

Installation:

Please read all instructions carefully.

Before you proceed to install, make sure that the power supply is turned off and remains off until installation is complete.

Please note that each part has been assigned a number.

Please proceed in a numerical order.

When replacing the Bulb, just unscrew the M6 plastic headless screw (P5), Straight grain iron car parts (P4), 0.7" abacus bead (P6), M4 round straight metal screw (P10), Push the wire together with the bulb out from (P8) the bottom of the shade. Then you can replace the bulb. After replacing bulb, you can assemble the fixture back based on the original steps.

There is a wire clip in each socket inside the metal canopy.

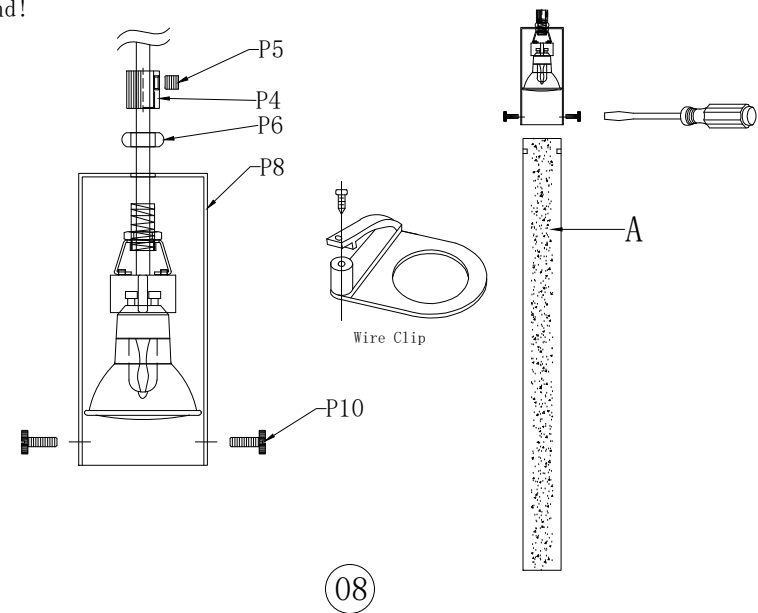
If you want to adjust the hanging length of the socket, you need to loosen the hanging length of the socket,

you need to loosen the wire clip to adjust it.

After adjusting, you can install the Chandelier.

1. Fix the crossbar (01) to the installation 4" junction-box (J-box).
2. Fix the Fixture (02) to the Crossbar (01) with knurled nuts (03).
3. As the crystal dressing instruction, hang the crystal parts.

The end!



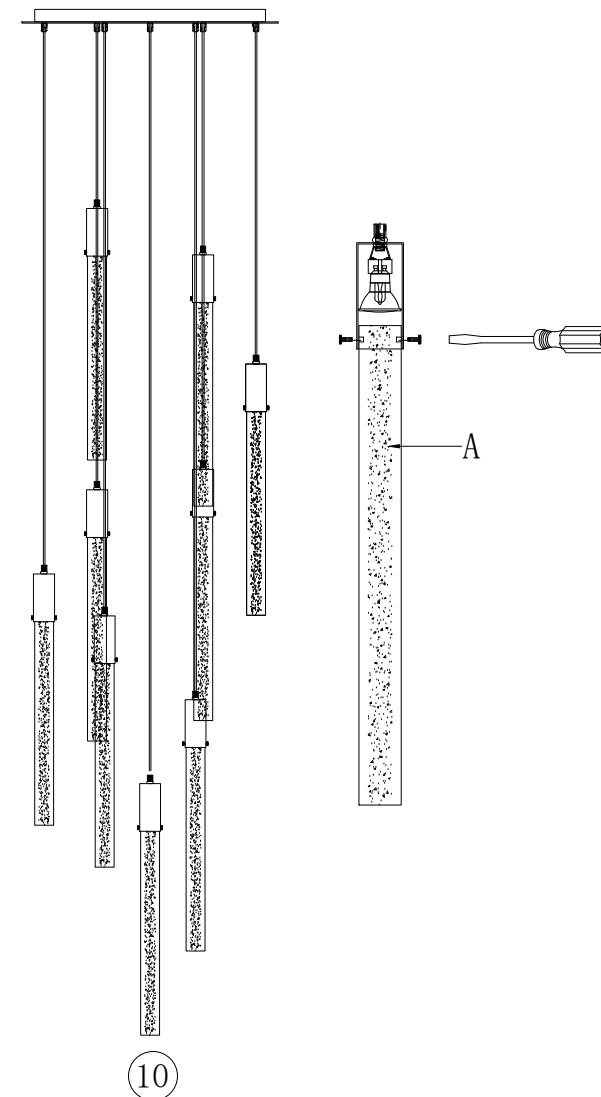
Step 4 Crystal Dressing Instructions

1. Hang crystal "A" to the lamp body and fixed with M4 screw.

Crystal Dressing Diagram



When dressing the chandelier with the crystals please remember to wear either rubber or cotton gloves. So as to prevent any damage or smudging on the crystals.



Congratulations !

You are now done installing your Elegant Lighting fixture. Sit back and admire each crystal as it will become the statement piece for your room/house.

Thank you.

Cleaning and Maintenance of Chandelier Frame
The finish on our chandelier frames and fixture frames is protected by a durable coating of lacquer. To clean, use a clean soft, dry cloth. Do not use any metal polishes, cleaners, abrasives or any substance which could remove the protective finish. Failure to follow these instructions automatically voids the guarantee.

Cleaning and Maintenance of Crystals
Wet a soft cotton fabric in clean warm water and wipe gently, then polish with a dry soft cotton fabric.

To Order Crystal Replacement Parts
Should you require replacement crystals or pins (the metal connectors attaching the crystals), contact the store where the product was purchased. For ease of ordering, you may use the original crystal trimming instructions provided with this product and circle the items you wish to order, indicating the quantity by writing the number needed adjacent to the circle . You will be contacted with prices prior to shipment. All orders must be pre-paid.

Elegant Lighting Warranty

The finish and frame of your new chandelier or fixture are warranted for a period of one (1) year from the date of purchase. Our company will, at its option, repair or replace any frame that has a defect in the materials or workmanship during the warranty period. All crystals are guaranteed for their original quality during the life of the chandelier. Breakage is not covered by this

To make a claim under this warranty, please contact the retailer where you made your purchase. A written return authorization form will be sent to you with specific instructions.

Returns and Conditions of Warranty

Returns must be pre-authorized by contacting the retailer where you made your purchase..Returns will only be accepted with a written return merchandise authorization and return shipping charges pre-paid. We reserve the right to inspect all returned merchandise to fully determine the nature of any defect. This guarantee shall not apply to any product that has been changed, altered or otherwise modified, nor shall it apply to any product that has been repaired or altered by anyone other than a pre-authorized facility. We will not be responsible for any breakage or damages incurred during transit, nor for crystal parts or metal frame part that have been subject to misuse, negligence, accident or inappropriate handling. Also, we will not be held responsible for damage incurred during improper installation or wiring by others, nor for damages resulting from a failure to follow the recommended maintenance or installation procedures. This guarantee is issued in lieu of any and all other guaranteed or warranty, whether written or implied and any and all other obligations or liabilities. Further, we neither authorize nor permit any other person or firm to assume for us, any liability in connection with the sale of our products.