



ELEGANT
FURNITURE & LIGHTING™

Installation manual for

1780W19SG

Dimensions : L19"*H7 " *E6" L4

Collection : Emilia

Bulb Type : E12 (bulb not included)

Lamp Frame Weight : 2.6 LBS

Total Weight : 7 LBS



Thank you for choosing our product(s).

Our Company is actively involved in every step of the production.

Our product(s) are designed to be utilized for every application that graces your home or business.

We pride ourselves in providing the most prompt and courtesy service to all of the valued customers.

Please find the enclosed detailed instruction and read carefully for proper installation.

If you have any questions, please contact the retailer Where the purchased was made.



1780W19SG L19"*H7 "*E6" L4

SAFETY

Warning: MAKE SURE THE ELECTRICITY TO THE WIRES YOU ARE WORKING ON IS SHUT OFF. BY EITHER REMOVING THE FUSE OR TURNING OFF THE CIRCUIT BREAKER.

CAUTION

- Before assembling the lighting fixture, please read all instructions carefully.
- All frame & crystal components are fragile, please handle with care.
- Required supply circuit : 110 - 130V/60Hz
- Labeled wires are "L" for live wire, "N" for neutral wire, "E" for ground wire.
- Never install fixture on damp ceiling, the room should be dry and well ventilated
- All electrical components must be installed by a licensed electrician and in accordance with the National Electrical Code and the appropriate local electrical codes.

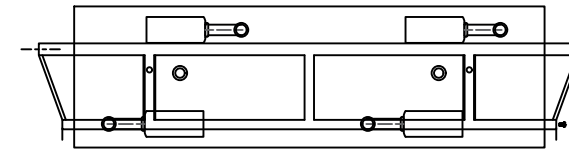
Unpack the Package

Please open the box carefully and check all the items are inside the box. If you have any installation, assembling and missing parts questions. where you purchase from and any other relevant information ready, our customer service team will provide comprehensive and worry free service to our valued customers.

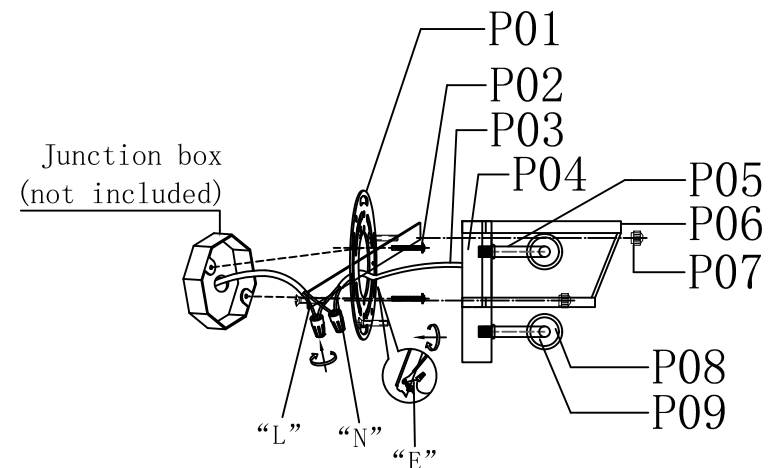
01

1780W19SG L19"*H7 "*E6" L4

Frame Assembly Diagram



Front view



Said view




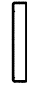




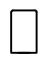
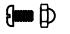

02

1780W19SG L19"*H7 "*E6" L4



Step 1

Please use the parts list to ensure you are not missing any parts.

1780W19 PARTS LIST

Part	Picture	Description	Parts number	Qty	Check list
P01		Crossbar $\phi 4''+L22''$ (Canopy part)	P-1780W19SG-1	1	
P02		5/32-32 Screw		2	
P03		Power Cord 24" SPT-1 Clear		1	
P04		L15.8" *W4.7" Back Plate		1	
P05		bent pipe		4	
P06		L33.8"*H2.9" metal frame		1	
P07		NUT		2	
P08		E12 Socket		4	
P09		D1.2"*H2" lamp cup		4	
P10		M4 screw & Screw cap		SCRC-G	11
A		Glass	GLASS1780A	11	

1780W19SG L19"*H7 "*E6" L4

Part	Picture	Description	Parts number	Qty	Check list
B		Crystal	CRY1780A	18	
C		plastic washer (for glass A)	R-R	11	

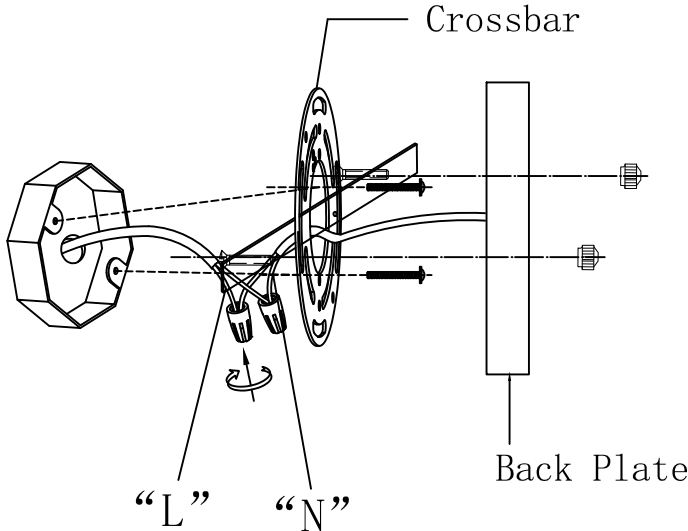
1780W19SG L19"*H7 "*E6" L4

Part	Picture	Description	Parts number	Qty	Check list

05

1780W19SG L19"*H7 "*E6" L4

Step 2 Canopy Installation Instruction



"L"=Hot wire
"N"=Neutral wire
"E"=GND

06

1780W19SG L19"*H7 "*E6" L4

Canopy Installation Instruction

IMPORTANT: Test sockets with bulb before dressing the fixture.

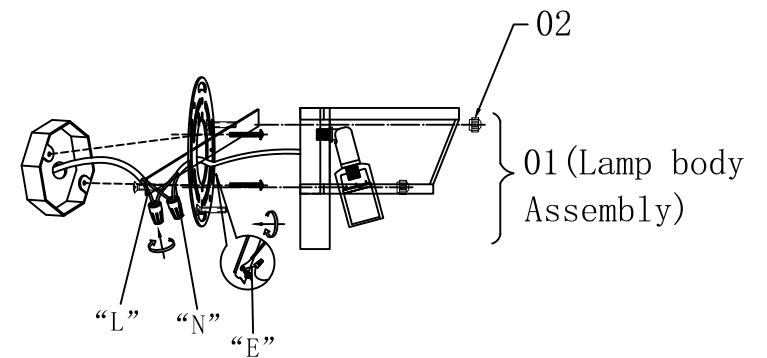
1. Black wire from ceiling(junction box) attaches to "L" wire from the fixture.
2. White wire from ceiling(junction box) attaches to "N" wire from the fixture.
3. "E" wire from the fixture is attached to the mounting bracket and an additional "E" wire from the mounting bracket must be secured to the junction box.
4. Secure mounting bracket to the junction box.
5. Attach the fixture to Wall by nut.

07

1780W19SG L19"*H7 "*E6" L4

Step 3

Frame Assembly Diagram



08

1780W19SG L19"*H7 "*E6" L4

Frame Assembly Instructions

Installation:

Please read all instructions carefully. Before you proceed to install, make sure that the power supply is turned off and remains off until installation is complete. Please note that each part has been assigned a number. Please proceed in a numerical order.

1. Attach the Lamp body Assembly(01) to Wall by nut(02).
2. Screw the Bulb on the Lamp Holder. (bulb not included)

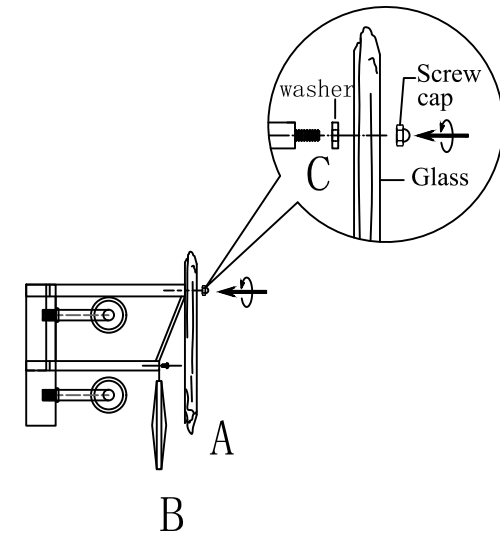
09

1780W19SG L19"*H7 "*E6" L4

Step 4

Crystal Dressing Diagram

When dressing the chandelier with the crystals please remember to wear either rubber or cotton gloves. So as to prevent any damage or smudging on the crystals.



Attention:

Install light bulb first before assembling crystal and glass. Please do not over-tighten!

Hand tighten glass screw only! Do not use power tools.

1. Hanging the plastic washer and glass (A) on the lamp by Screw cap, As shown in the figure.
2. Hanging the crystal (B) on the lamp.

10

1780W19SG L19"*H7 "*E6" L4

Congratulations !

You are now done installing your Elegant Lighting fixture. Sit back and admire each crystal as it will become the statement piece for your room/house.

Thank you.

1780W19SG L19"*H7 "*E6" L4

Cleaning and Maintenance of Chandelier Frame

The finish on our chandelier frames and fixture frames is protected by a durable coating of lacquer. To clean, use a clean soft, dry cloth. Do not use any metal polishes, cleaners, abrasives or any substance which could remove the protective finish. Failure to follow these instructions automatically voids the guarantee.

Cleaning and Maintenance of Crystals

Wet a soft cotton fabric in clean warm water and wipe gently, then polish with a dry soft cotton fabric.

To Order Crystal Replacement Parts

Should you require replacement crystals or pins (the metal connectors attaching the crystals), contact the store where the product was purchased or contact us . For ease of ordering, you may use the original crystal trimming instructions provided with this product and circle the items you wish to order, indicating the quantity by writing the number needed adjacent to the circle . You will be contacted with prices prior to shipment. All orders must be pre-paid.

1780W19SG L19"*H7 "*E6" L4

Elegant Lighting Warranty

The finish and frame of your new chandelier or fixture are warranted for a period of one (1) year from the date of purchase. Our company will, at its option, repair or replace any frame that has a defect in the materials or workmanship during the warranty period. All crystals are guaranteed for their original quality during the life of the chandelier. Breakage is not covered by this warranty.

To make a claim under this warranty, contact our customer service department.

A written return authorization form will be sent to you with specific instructions.

1780W19SG L19"*H7 "*E6" L4

Returns and Conditions of Warranty

Returns must be pre-authorized by contacting our customer service department. Returns will only be accepted with a written return merchandise authorization and return shipping charges pre-paid. We reserve the right to inspect all returned merchandise to fully determine the nature of any defect. This guarantee shall not apply to any product that has been changed, altered or otherwise modified, nor shall it apply to any product that has been repaired or altered by anyone other than a pre-authorized facility. We will not be responsible for any breakage or damages incurred during transit, nor for crystal parts or metal frame part that have been subject to misuse, negligence, accident or inappropriate handling. Also, we will not be held responsible for damage incurred during improper installation or wiring by others, nor for damages resulting from a failure to follow the recommended maintenance or installation procedures. This guarantee is issued in lieu of any and all other guaranteed or warranty, whether written or implied and any and all other obligations or liabilities. Further, we neither authorize nor permit any other person or firm to assume for us, any liability in connection with the sale of our products.