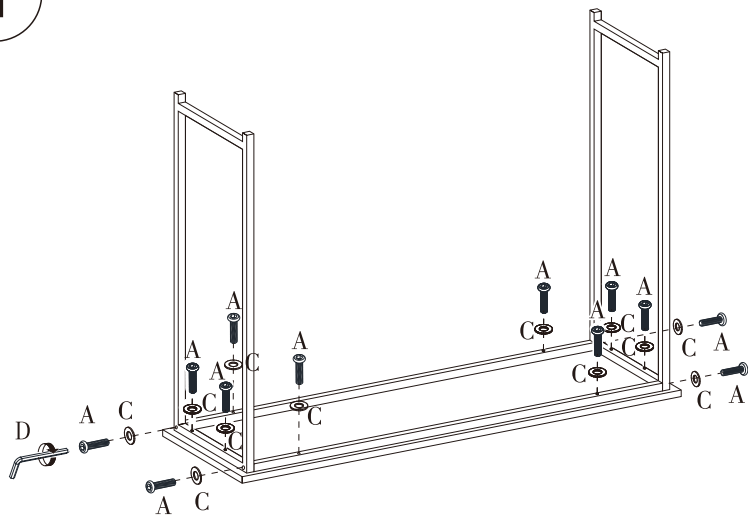








Assembly Instructions

ITEM #:AF12043NAT/AF12141NAT

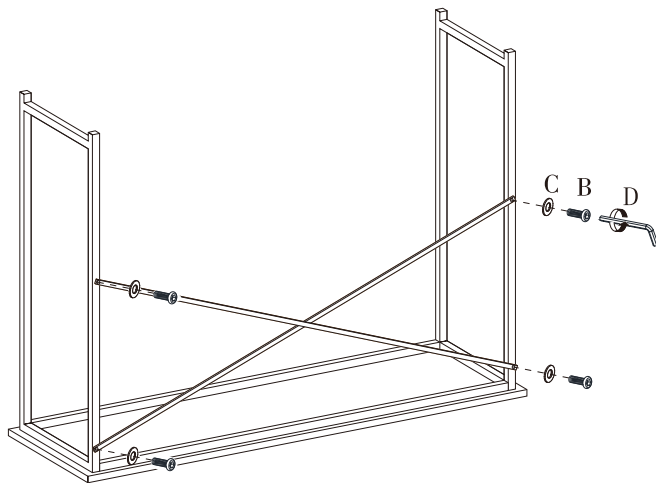
1



HARDWARE LIST

| NO | PARTS | DESCRIPTION | QUANTITY |
|----|---|-----------------|----------|
| A |  (M6*1.38") | BIGGER HEX BOLT | 8 |
| B |  (M6*0.6") | BIGGER HEX BOLT | 4 |
| C |  (M6*0.8") | SPRING WASHER | 12 |
| D |  | ALLEN KEY | 1 |

2



3

