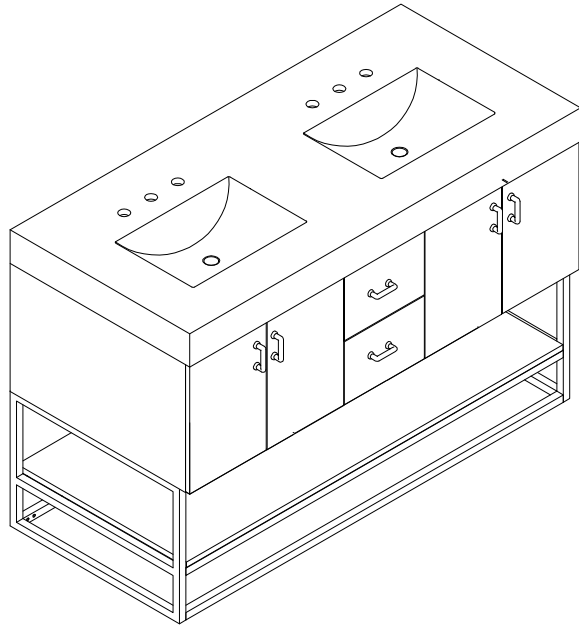
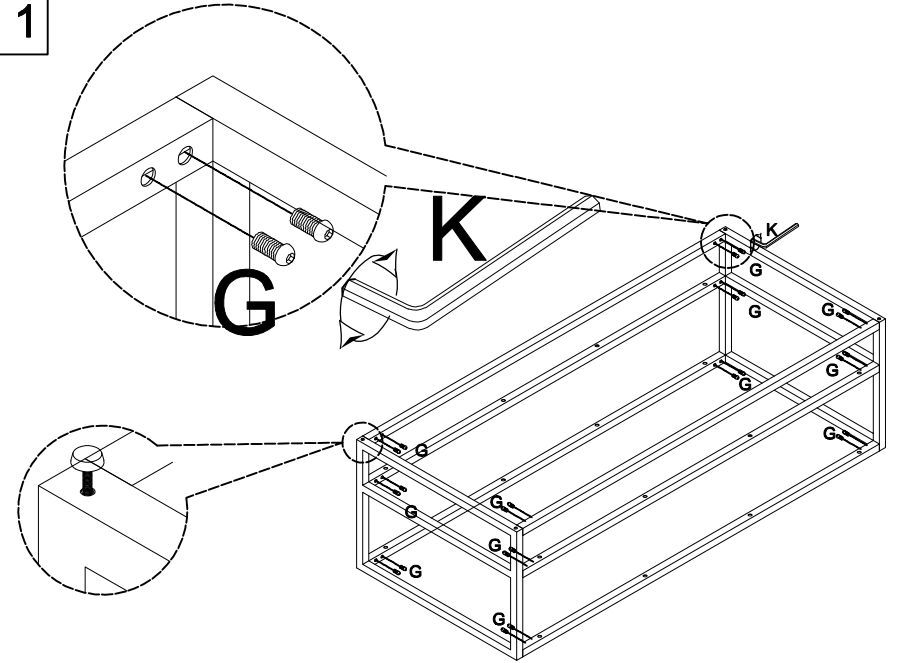


ASSEMBY INSTRUCTIONS

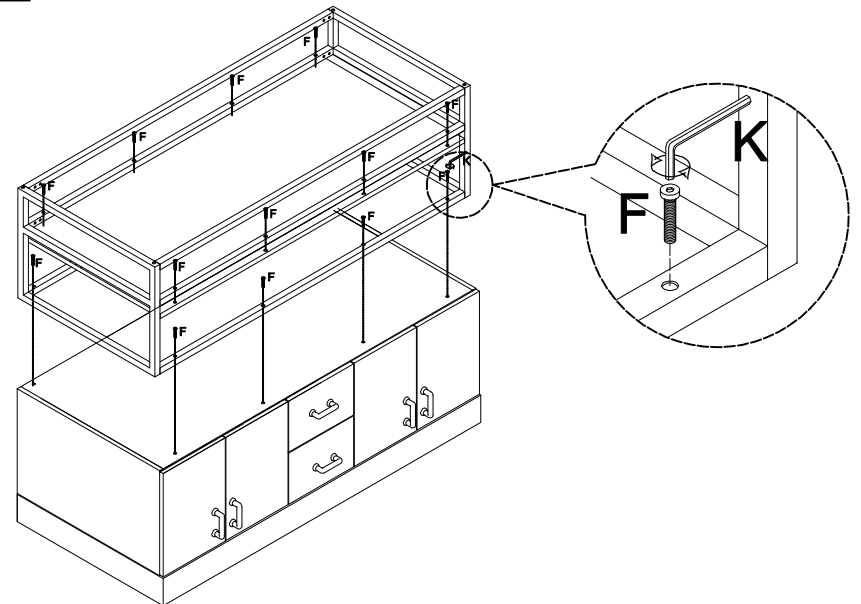
VF292-54D MCB / VF292-54D MHB /
VF292-54D MMB / VF292-54D WH





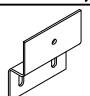





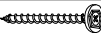
Step 1



Step 2

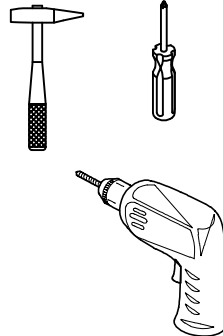


Hardware

| NO. | Parts | QTY | NO. | Parts | QTY |
|-----|---|-----|-----|---|-----|
| A |  (M6*1.18") | 6 | F |  (M6*1.18") | 16 |
| B |  | 3 | H |  (M8*1.57") | 2 |
| C |  (T4*1.38") | 6 | G |  (1/4"*0.47") | 24 |
| D |  (T4*0.55") | 3 | K |  | 1 |
| E |  (M6*2.36") | 2 | | | |

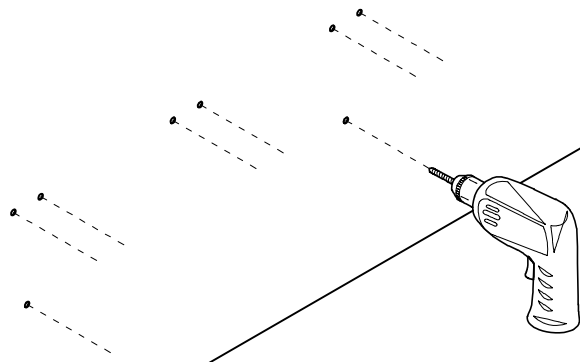
Tools

(required but not provided)



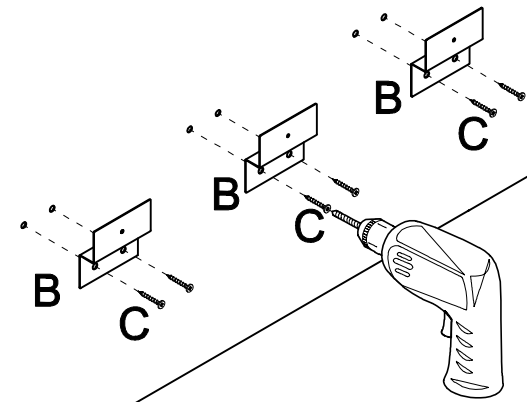
Step 3

Wall



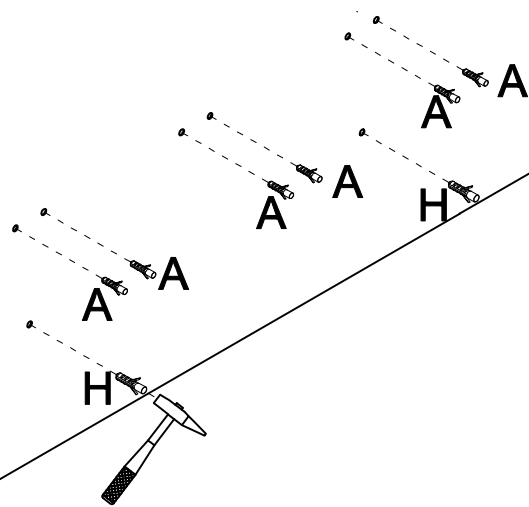
Step 5

Wall

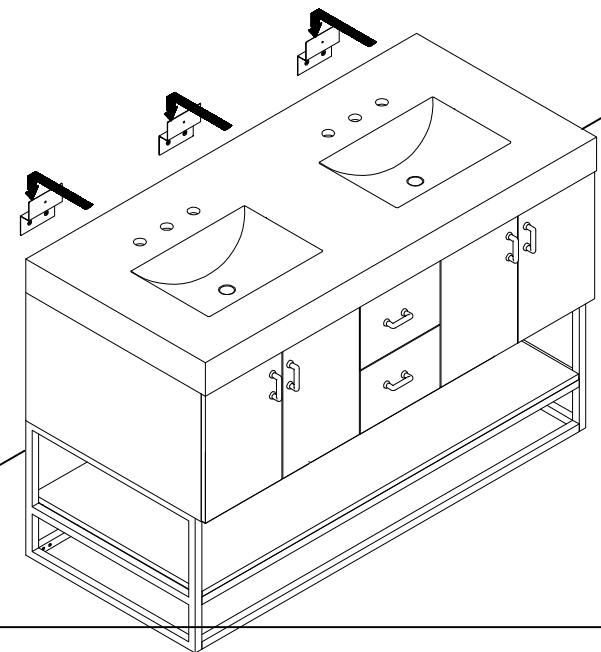
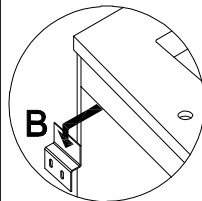


Step 4

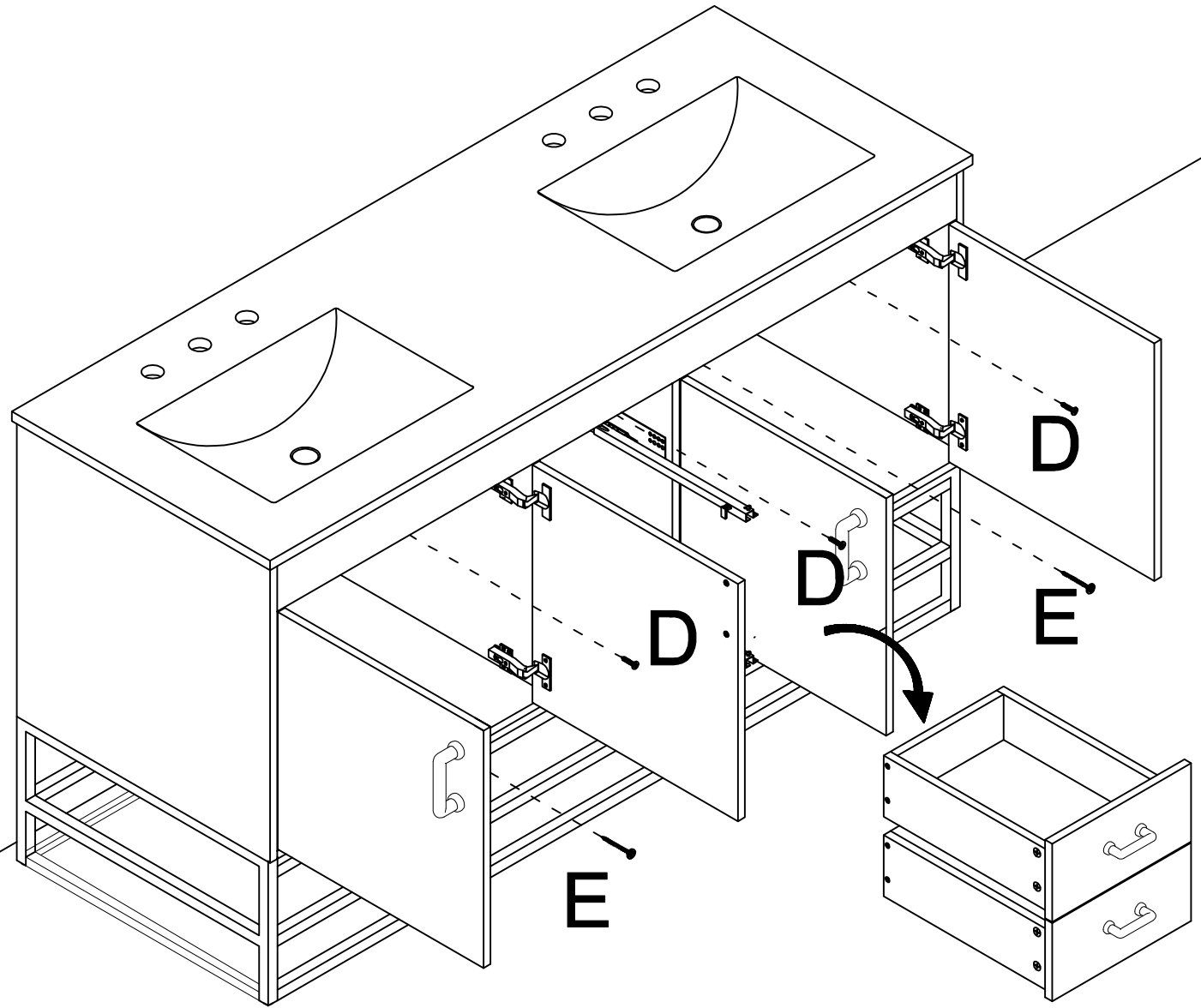
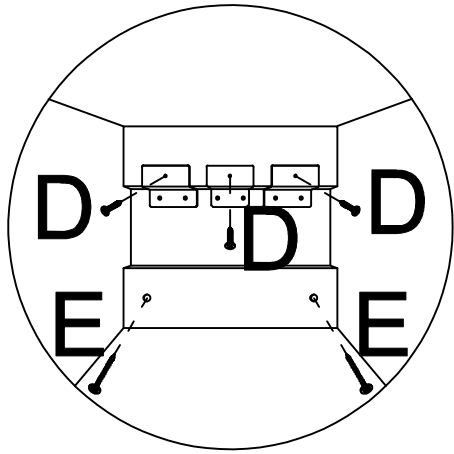
Wall



Step 6



Step 7



Finished

