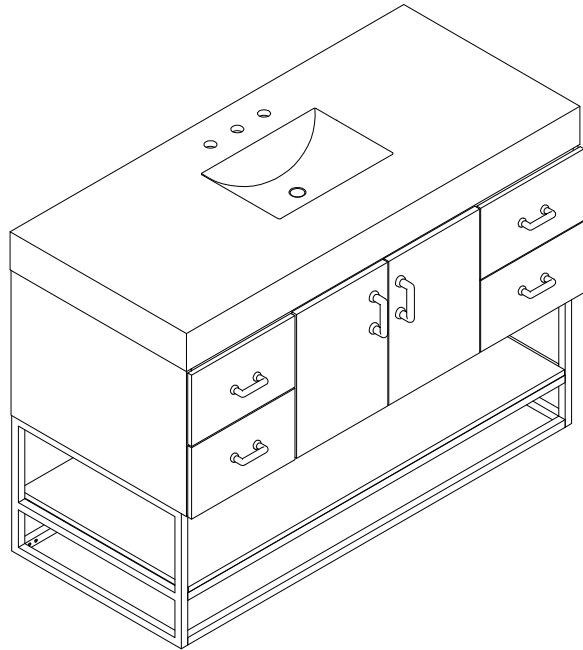
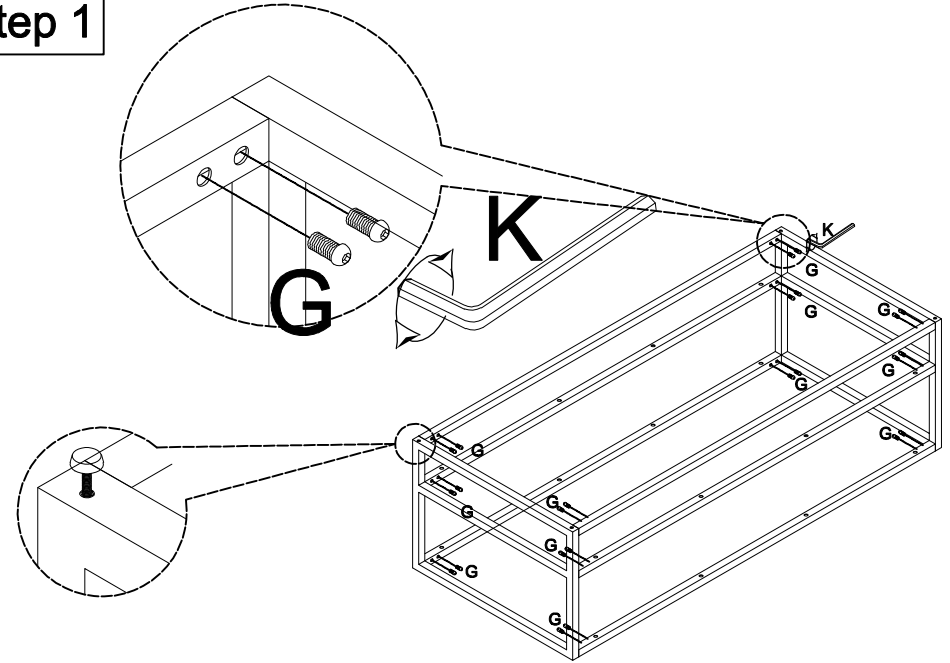


# ASSEMBY INSTRUCTIONS

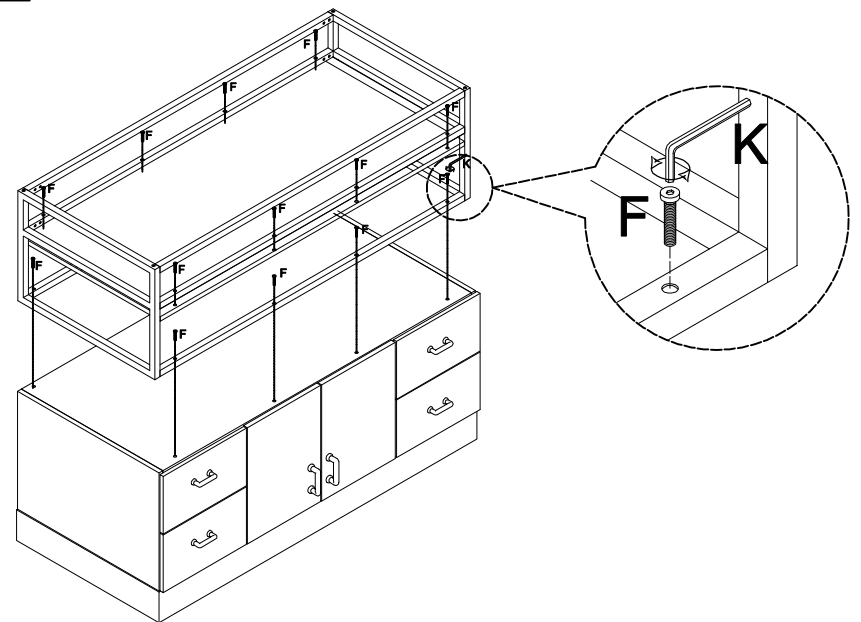
VF292-54MCB / VF292-54MHB /  
VF292-54MMB / VF292-54WH



## Step 1



## Step 2

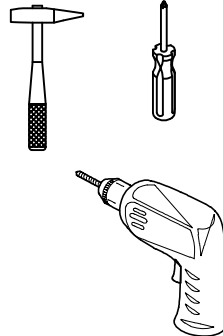


## Hardware

NO.	Parts	QTY	NO.	Parts	QTY
A	(M6*1.18")	6	F	(M6*1.18")	16
B		3	H	(M8*1.57")	2
C	(T4*1.38")	6	G	(1/4*0.47")	24
D	(T4*0.55")	3	K		1
E	(M6*2.36")	2			

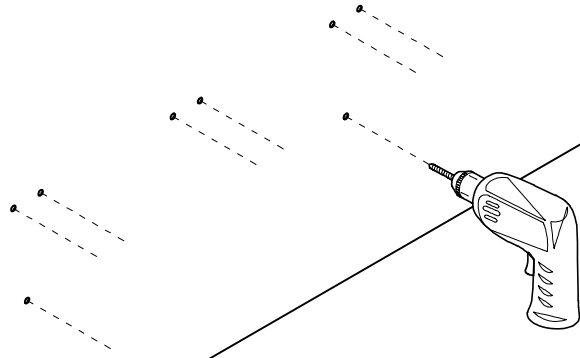
## Tools

(required but not provided)



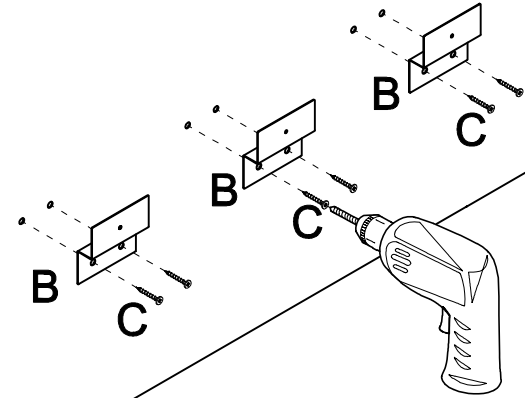
Step 3

Wall



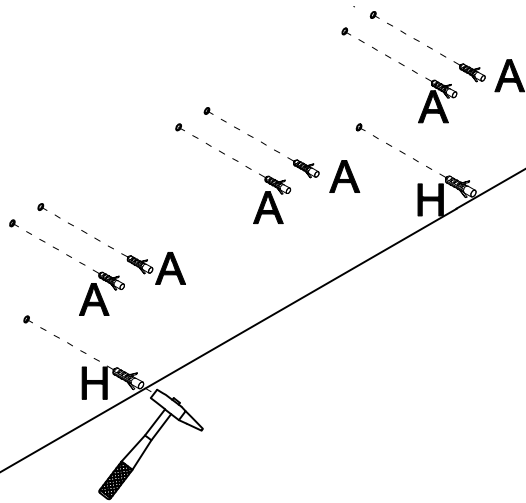
Step 5

Wall

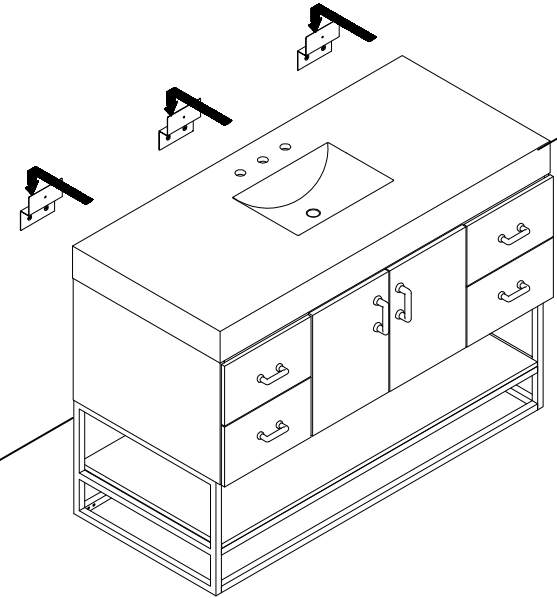
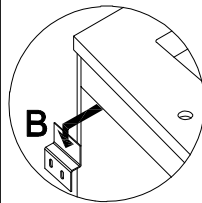


Step 4

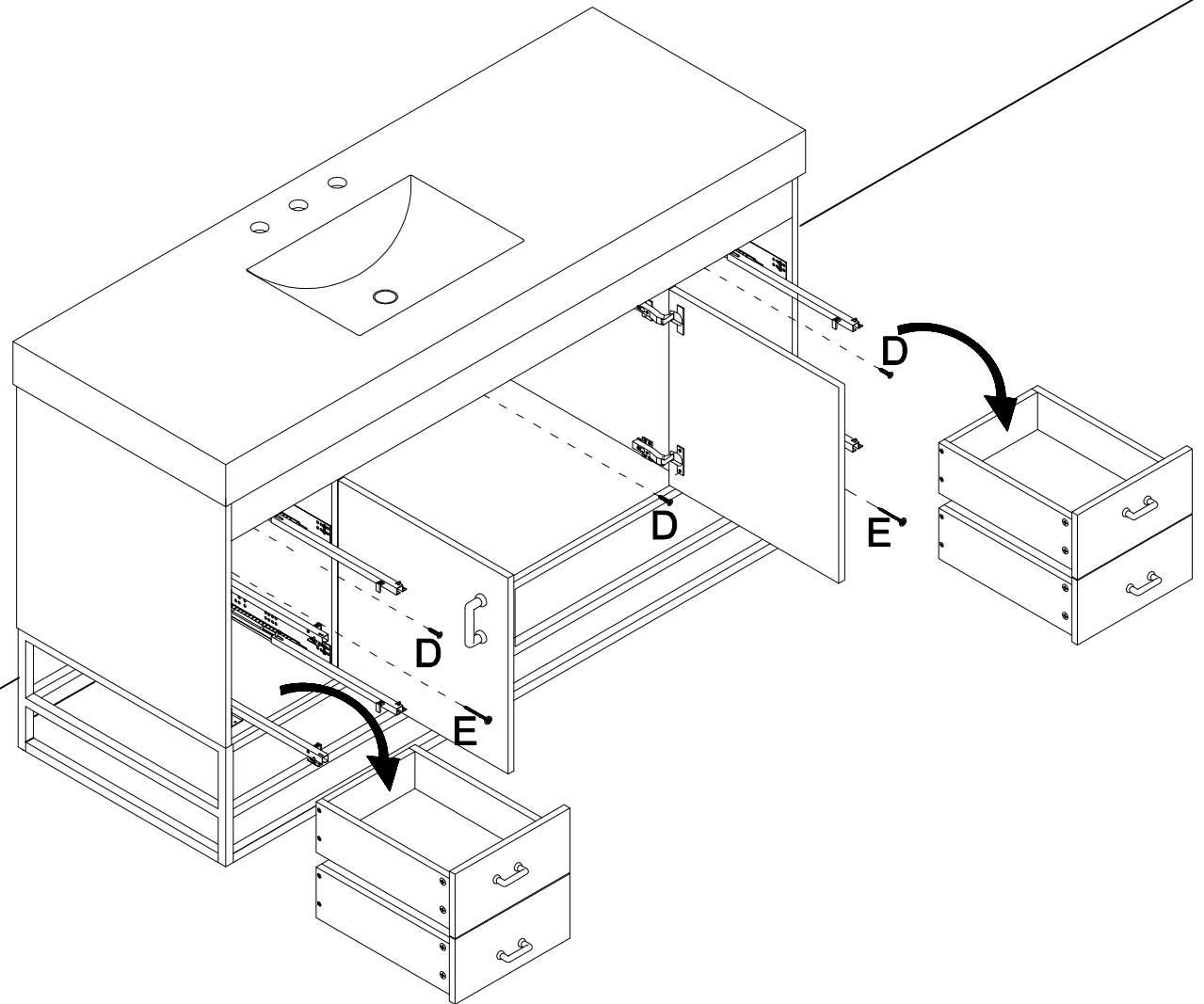
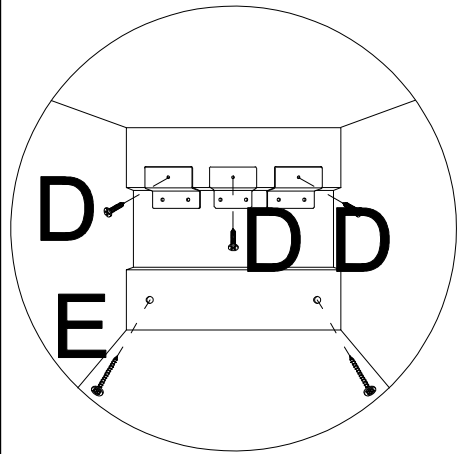
Wall



Step 6



Step 7



Finished

