

# LIVING DISTRICT

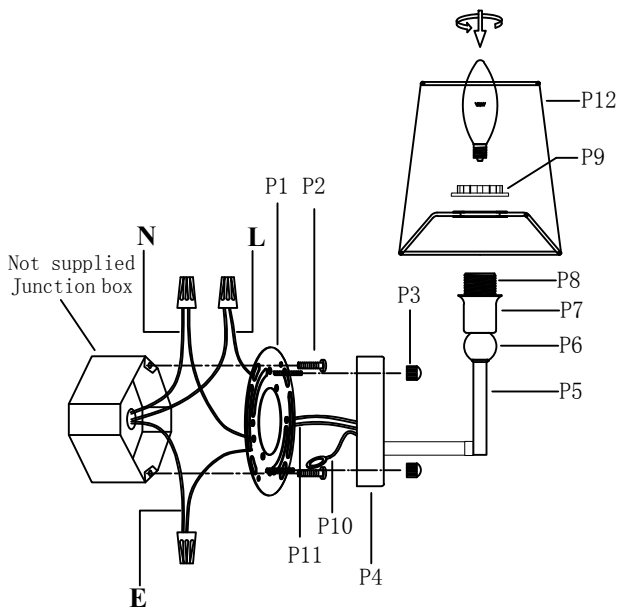
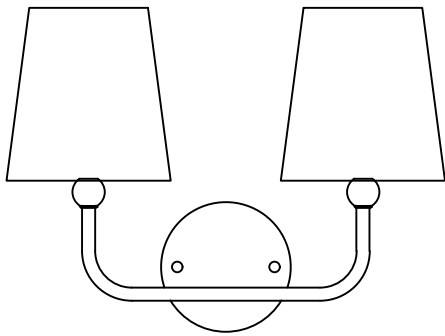
Collection:Senna

Installation manual for:

LD7322W16BRA W16"\*E7.5" H11.8" L2

## Installation instructions:

1. Black wire from ceiling(junction box) attaches to "L"wire from the fixture.
  2. White wire from ceiling(junction box) attaches to "N"wire from the fixture.
  3. "E" wire from the fixture is attaced to the mounting bracket and an additional "E" wire from the mounting bracket must be secured to the junction box.
  4. Secure mounting bracket to the junction box.
  5. Install the lamp body to the mounting bracket by Nut(P3).
  6. Locking the Fabric shade(P12) on the lamp body by socket rings(P9).
  7. Install E12 light source.(Bulbs not supplied) .
- The end!



Part Number	Part	Picture	Description	Qty	
MB7S03	P1		Mounting bracket Φ4"*H1.2"	1	
	P2		Mounting bracket screw	2	
P-LD7322W16BRA-1	P3		Nut	2	
	P4		Backplate (Ø4.7"*H1")	1	
	P5		Lamp arm(W10.5"*H5")	1	
	P6		Flat ball (Φ1.2"*H1")	2	
	P7		Socket Cup (Φ1.6"*H1.4")	2	
	P8		E12 holder	2	
	P9		Socket rings	2	
	P10		UL18#Ground wire,L9.8"	1	
	P11		UL18#,L8"	1	
	FS7R02	P12		Fabric shade (Φ6"*H6.3")	2

"L" = Hot wire

"N" = Neutral wire

"E" = Ground wire