

LIVING DISTRICT

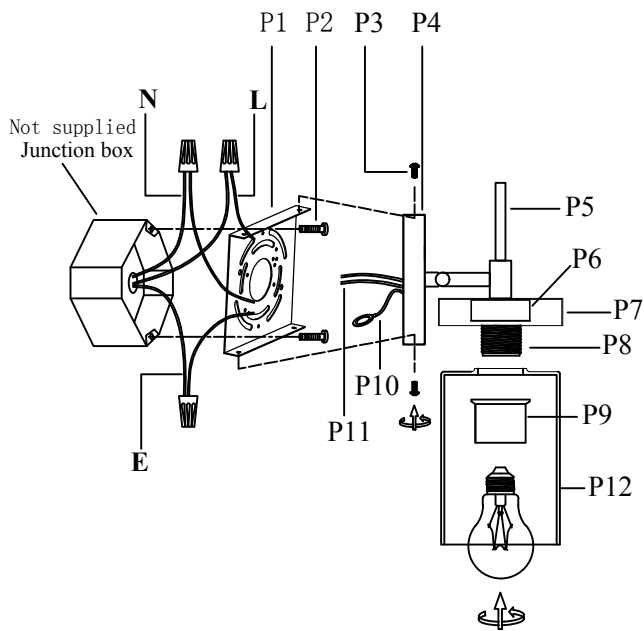
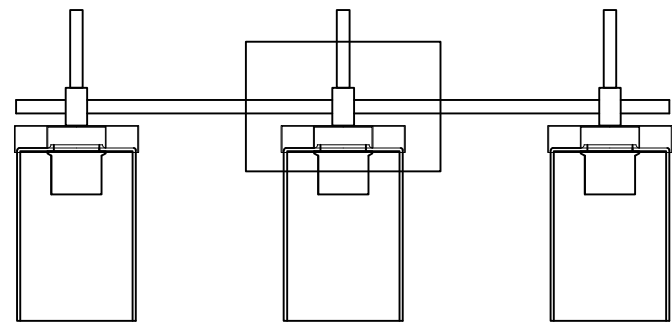
Collection:Taryin

Installation manual for:

LD7319W24BRA W24"*E5.8" H11.3" L3

Installation instructions:

1. Black wire from ceiling(junction box) attaches to "L"wire from the fixture.
 2. White wire from ceiling(junction box) attaches to "N"wire from the fixture.
 3. "E" wire from the fixture is attaced to the mounting bracket and an additional "E" wire from the mounting bracket must be secured to the junction box.
 4. Secure mounting bracket to the junction box.
 5. Install the lamp body to the mounting bracket by screws(P3).
 6. Locking the glass shade(P12) on the lamp body by socket rings(P9).
 7. Install E26 light source.(Bulbs not supplied) .
- The end!



Part Number	Part	Picture	Description	Qty	
MB7S05	P1		Mounting bracket L4.5"*W4.5"	1	
	P2		Mounting bracket screw	2	
P-LD7319W24BRA-1	P3		Screw	4	
	P4		Backplate (L7.1"*W4.7")	1	
	P5		Lamp arm(W23.8"*H4.1")	1	
	P6		Socket Cup (Φ2.2"*H0.8")	3	
	P7		Socket Cup (Φ4.5"*H1")	3	
	P8		E26 holder	3	
	P9		Socket rings	3	
	P10		UL18#Ground wire,L9.8"	1	
	P11		UL18#,L8"	1	
	GS7R13	P12		Glass shade (Φ4.3"*H6.3")	3

"L" = Hot wire

"N" = Neutral wire

"E" = Ground wire