

LIVING DISTRICT

Collection: Elsreth

Installation manual for:

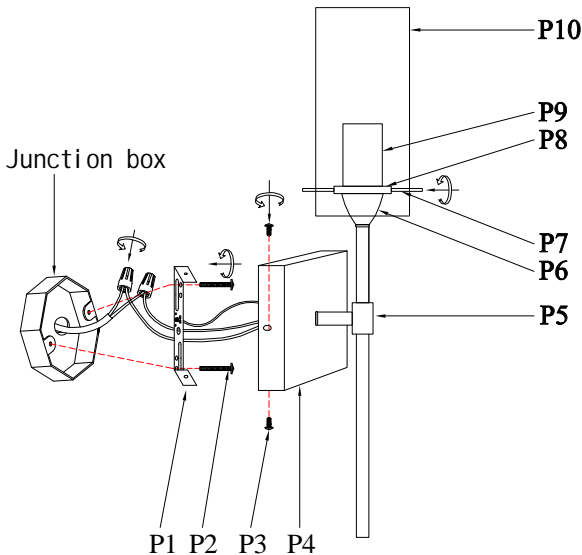
LD2361BK / LD2361BR / LD2361C / LD2361SG W4. 7"E4. 3"H20"L1

Installation instructions:

1. Secure Mounting bracket(P1) to the junction box.
2. Insert screws(P2) in side of top unit the mounting bracket.
3. Black wire from ceiling(junction box) attaches to "L"wire from the fixture.
4. White wire from ceiling(junction box) attaches to "N"wire from the fixture.
5. "E" wire from the fixture is attached to the mounting bracket and an additional "E" wire from the mounting bracket must be secured to the junction box.
6. Fix the Back plate(P4) to the Mounting bracket and tighten by the screws(P3).
7. Install the bulbs(bulbs not included) into the lampholder(P9).
8. Install Glass shade(P10) onto lampholder with Rods(P7) ensuring stability.

The end!

PARTS LIST



part	picture	Description	Qty	Check list
P1		L4. 5" Mounting bracket	1	
P2		5/32-32 Screw	2	
P3		M4 Screw	2	
P4		L4. 7"W4. 7"H1" Metal Canopy	1	
P5		L11. 8" Metal Rod	1	
P6		ø1. 6" Metal Cover	1	
P7		L1. 3" Metal Rods	3	
P8		ø2" Metal Bracket	1	
P9		E26 Metal Cup	1	
P10		ø3. 5" Glass shade	1	

"L" = Hot wire

"N" = Neutral wire

"E" = Ground wire