

CF3003

CRI 80 5000K 1050Lumens LED Ceiling fixture

complete line of residential lighting from ceiling mount, wall sconce, vanity bar to outdoor wall lighting are ideal solution for the replacement of incandescent fixtures.

Elitco Lighting



Performance

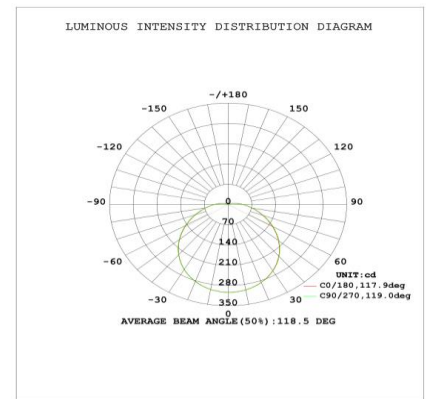
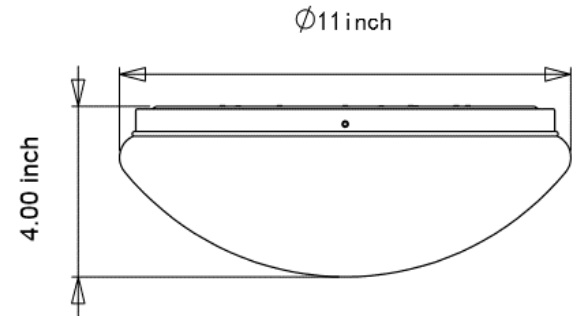
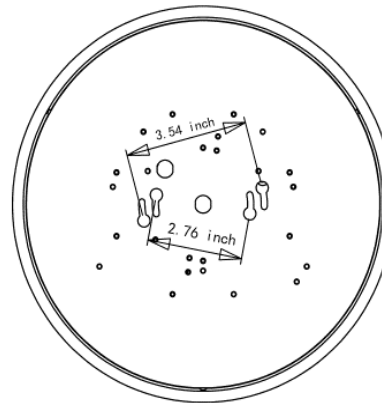
- LED light is designed to provide 50,000 hours of life
- Energy-saving & Super bright, saving 86% energy compared
- UL compliant, for use in DAMP locations

Construction

Die-formed cold-rolled steel with powder coated paint
High transmission white acrylic lens

Installation

- LED Ceiling fixture surface mount
- Size: $\Phi 11"$ (294mm)*H4"(101.6mm)



Specifications

Category	Ceiling Fixture	Individual Box Length (Inch)	11.22
Shape	Round	Individual Box Width (Inch)	4.33
Bulb Base Type	Integrated LED	Individual Box Height (Inch)	11.22
Bulb Base Finish	N/A	Individual Box Weight Per Unit (Lbs)	1.76
Color Temperature	5000K		
Beam Angle	120°		
Finish	White		
CRI	>80		
Average Life (Hours)	50000		
Estimated Yearly Energy Cost (11 ¢ /Kwh)	1.81	Lamp Type	LED
Life Based On 3Hrs/Day (Years)	45.66	Bulb Shape	N/A
Product Length (Inch)	N/A	Dry/Wet/Damp	Damp
Product Width (Inch)	11	Energy Star	NO
Product Height (Inch)	4	Power Factor	0.9
Product Extension (Inch)	N/A	Current	140MA
Product Weight Per Unit (Lbs)	1.3	Lumen/Watt	70
Dimmable	YES	Warranty (Year)	5
Watts	15	DLC (Yes/No)	NO
Watt Equivalent	75	Input Voltage	120V
Lumens	1050	Housing Material	Iron
Certification (UL/ETL/FCC)	ETL	Lens	Acrylic
		Led Type	Sanan