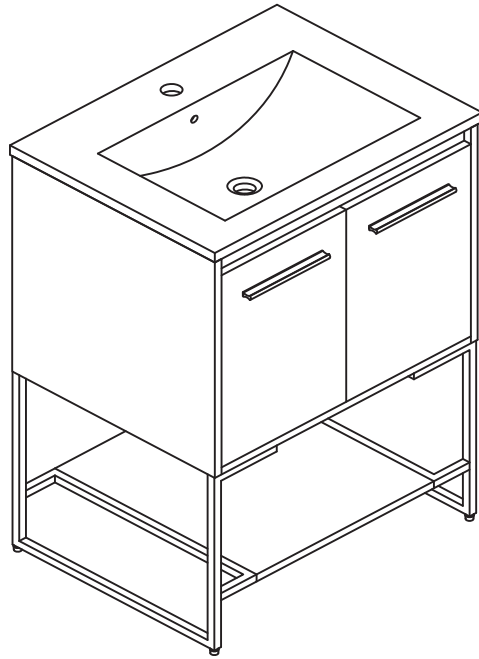


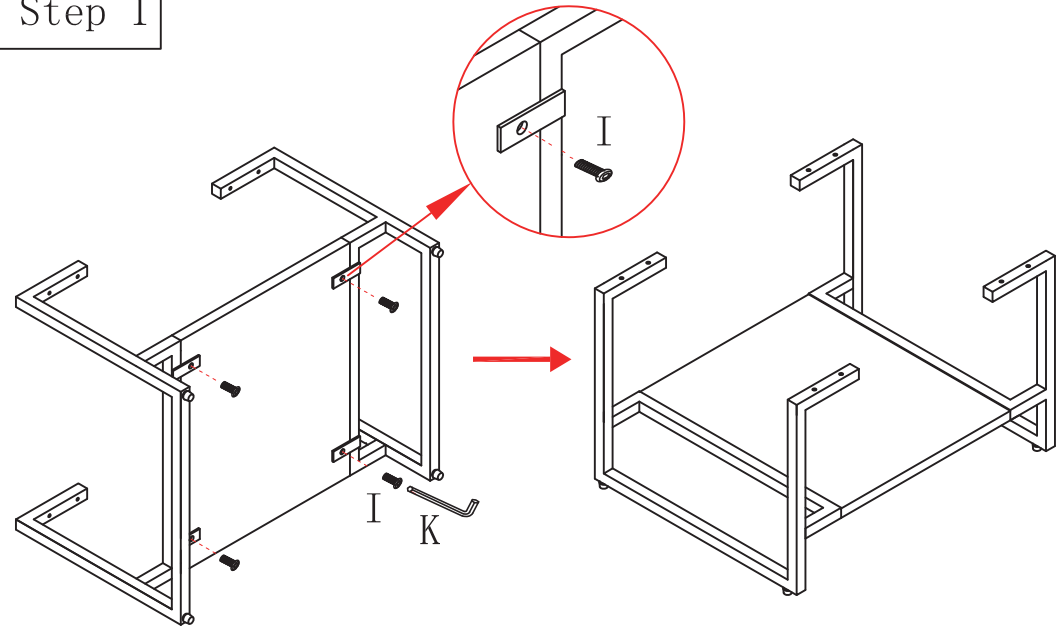


ASSEMBLY INSTRUCTIONS

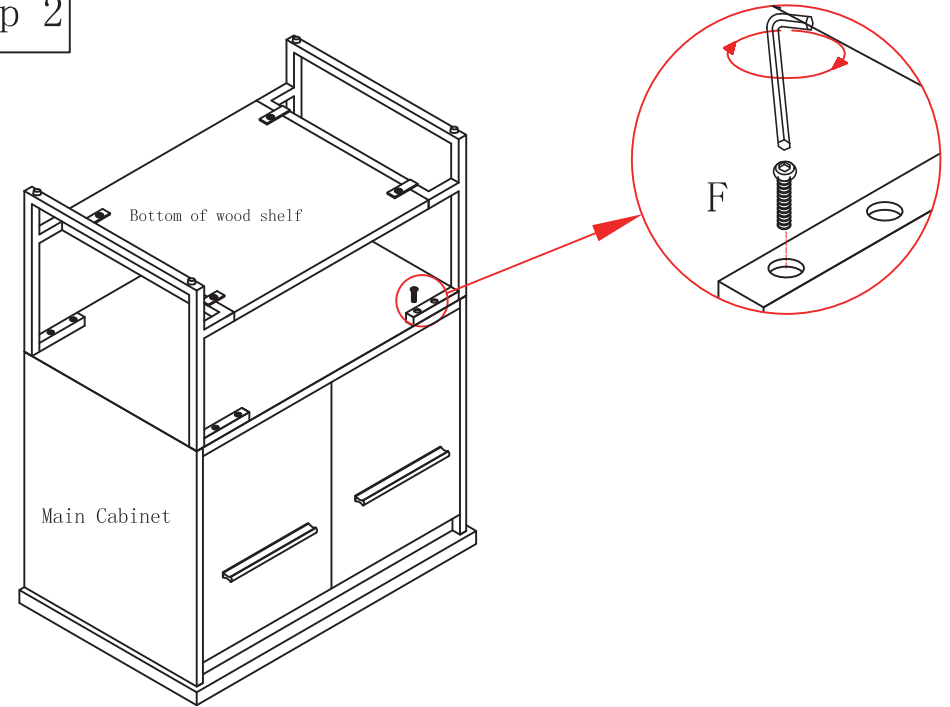
VF42524MBL / VF42524MGN / VF42524MWT
 VF42524MTK / VF42524MMP / VF42524MWH
 VF42524MCG



Step 1



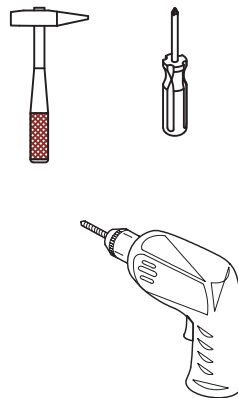
Step 2



Hardware

NO.	Parts	QTY	NO.	Parts	QTY
A	(M6*1.18")	4	E	(M6*2.36")	2
B		2	F	(M6*1.02")	8
C	(T4*1.38")	4	H	(M8*1.57")	2
D	(T4*0.55")	2	I	(M6*0.55")	4
			K		1

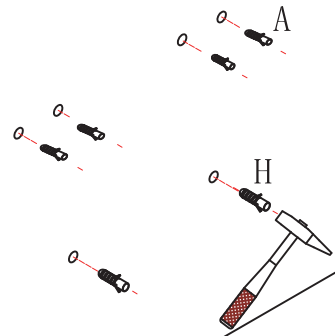
Tools



The main cabinet upside down.

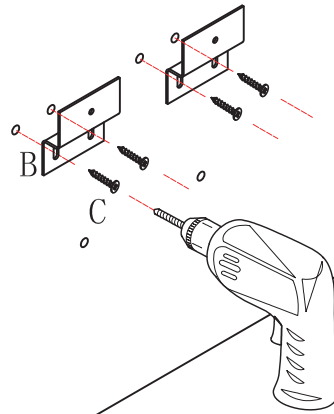
Step 3

Wall

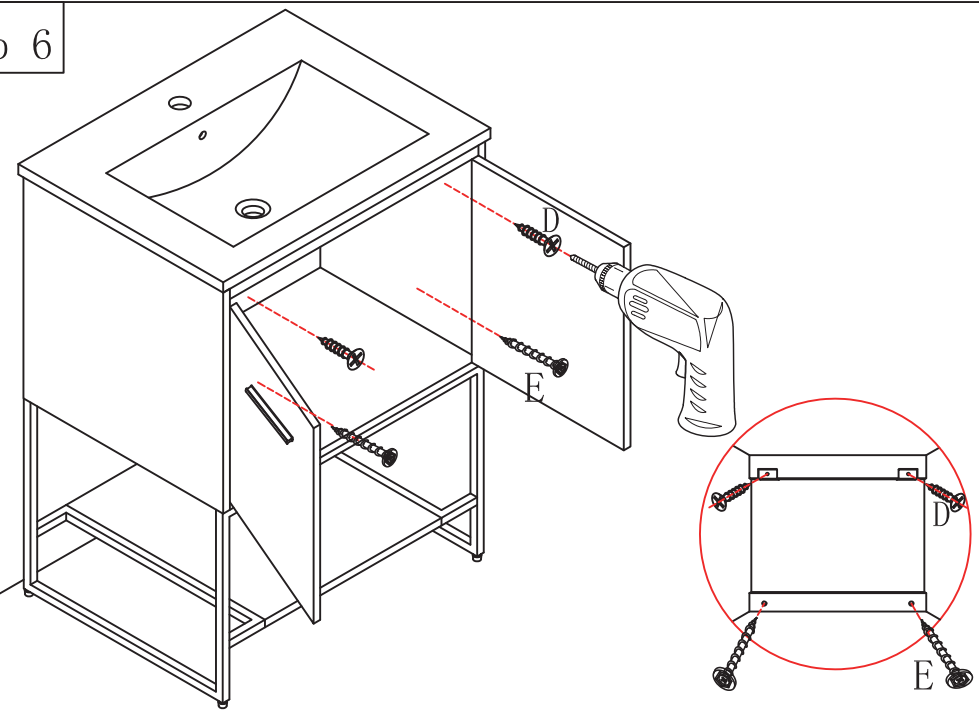


Step 4

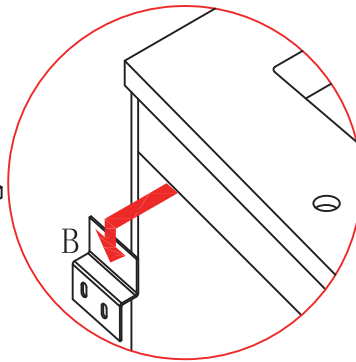
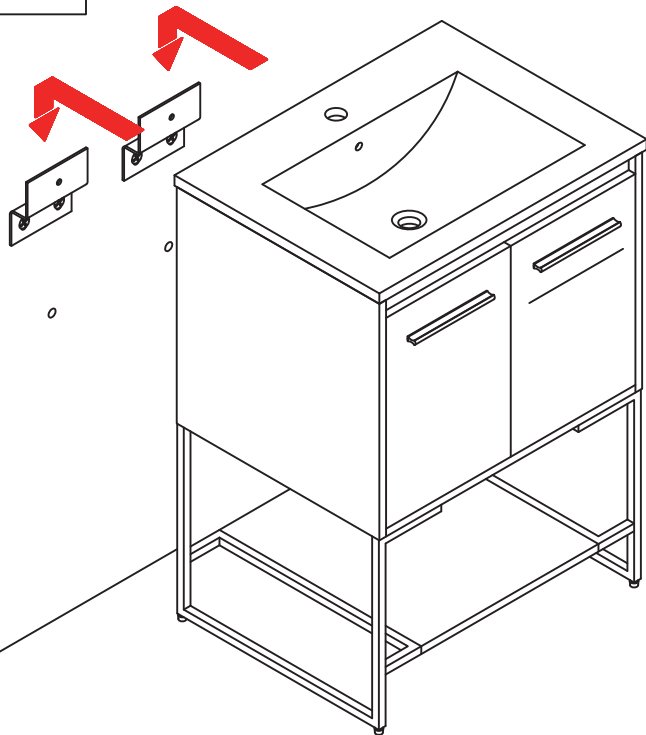
Wall



Step 6



Step 5



Finished

33.85"

