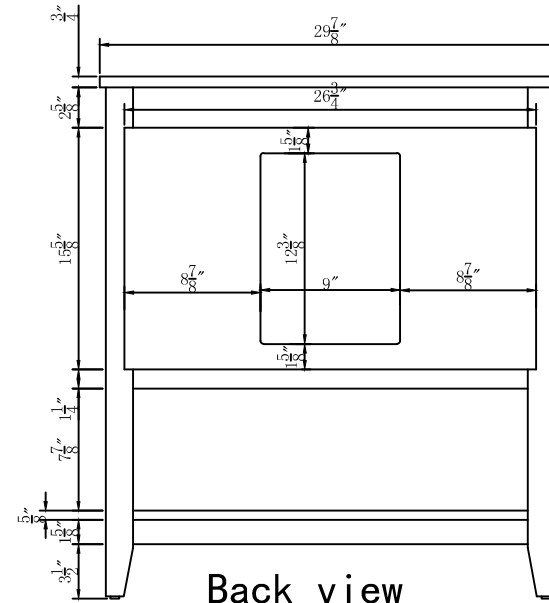
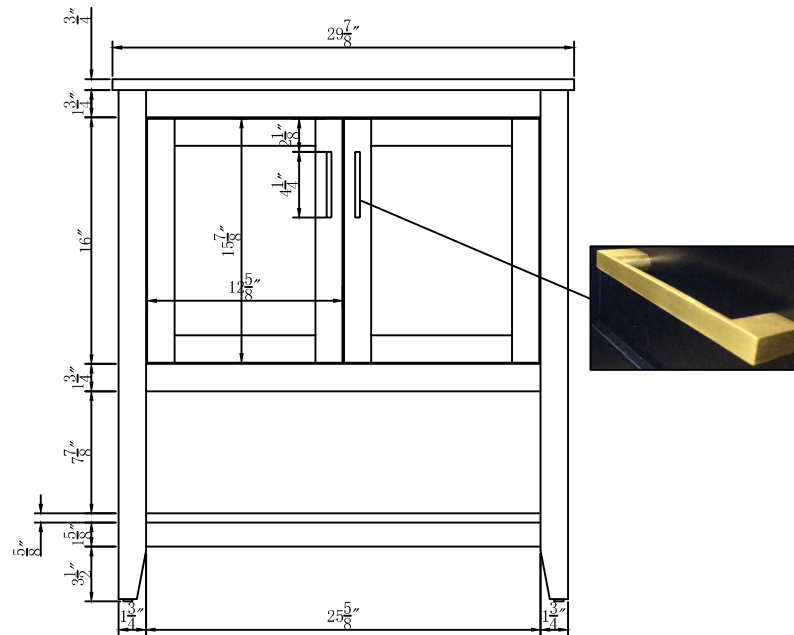


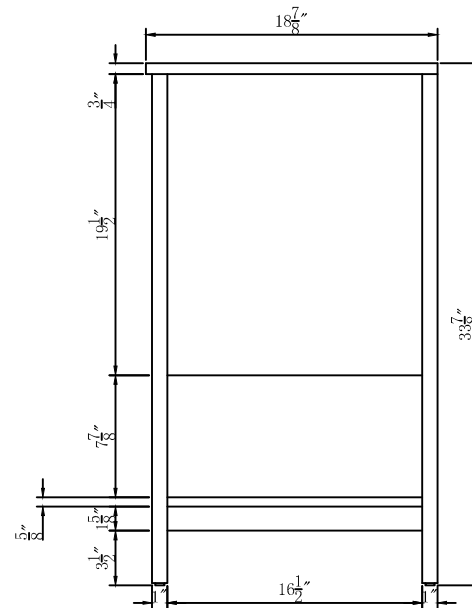
Top view



Back view



Front view



Side view

DWG. NO.:

MODEL NO.:

VF16030BL

ALTERATIONS

- ①
- ②
- ③
- ④

FOR PROPOSAL ONLY ALL DIMENSIONS TO BE VERIFIED

SCALE:

DWG. BY:

CHECKED BY:

DATE: 01/08/2019

PROJECT:

Qty:

Color:

DRAWING TITLE:

FINISH:

Elegant



Decor

ELEGANT LIGHTING

Model #	VF16030BL	Finish	BLUE	Mirror type	N/A	Beveled glass	N/A	Frame material	Solid wood and MDF
Solid wood construction	Solid wood legs	Drawers Included	NO	Number of Drawers	0	Joinery Type	N/A	Drawer railing	N/A
Drawer Width (in)	NO	Drawer Depth (in)	NO	Drawer Height (in)	NO	Shelves	yes	Number of Shelves	1
Doors included	Yes	Number of Doors	2	Finished Back	Yes	Hardware finish	Gold	Assembly	No
Countertop included	Yes	Countertop material	Engineering stone	Number of Sinks accommodated	1	Sink material	Porcelain	Sink Width	15-3/8"
Sink Depth	10-1/4"	Sink height	8-1/4"	Sink hole size	1-3/4"	Mounting type	Free Standing	Backsplash	No
Backsplash Width	N/A	Backsplash Depth	N/A	Backsplash Height	N/A	Drain assembly included	NO	Faucet included	NO
Faucet type	NO	Faucet hole size	1.38	Faucet hole spacing	8"3 Holes	Product Width	30	Product Depth	19
Product Height	34	Package LENGTH (inches)	36-1/2"	Package WIDTH (inches)	23-1/4"	Package Height (inches)	38-1/4"	Package Weight (lbs)	105
Product Weight	92	Shipment Type	small parcel	Table/Desk: top width	19"	Table/Desk top finish	calacatta quartz	glass top tempered	N/A
table top maximum weight	41 lbs	Table: seating capacity	1	upholstery color	N/A	upholstery pattern	N/A	cushion material	N/A
base finish	BLUE	powder coated finish	NO	base material	MDF	top material	Engineering stone	wood species	Rubberwood
tip over restraint strap	NO	shape of top	Rectangle	lift top	NO	shelf material	MDF	adjustable shelves	NO
Handle designs	Rectangle	safety stop	NO	felt lined drawers	NO	drawer glide extension	N/A	drawer glide material	N/A
drawer dividers	N/A	Drawer Interior finish	N/A	Ball Bearing Glides	NO	soft close drawer glides	N/A	Number of cabinets	1
shelf width (in)	27.625	shelf depth (in)	18.5	shelf height (in)	7.87	Shelf thickness	0.625	Any certification? (CARB/TSCA VI)	YES
California Proposition 65 warning required	YES	Drawer Interior Width (in)	N/A	Drawer Interior Depth (in)	N/A	Drawers Interior Height (in)	N/A	cabinet interior width	26-1/2"
cabinet interior depth	17-3/4"	cabinet interior height	17-3/4"	leg width	1-3/4"	leg depth	1"	leg height	33"
gloss finish	NO	stackable	NO	leg design	Oblique legs	Armoires: ring slots	NO	Armoires: hooks	NO
armoires: mirror dimensions	NO	door thickness	0.71"	false drawers?	NO	Vanity countertop edge style	FLAT	# of faucet holes	3

DWG. NO.

MODEL NO:
VF16030BL

SPEC NO:

QUANTITY:

DATE:

CHECKED BY:

FOR PROPOSAL ONLY ALL DIMENSIONS TO BE VERIFIED

PROJECT:

COLOR:

FINISH:

REVISIONS

1

2

3

4

5

6

 ELEGANT
FURNITURE & LIGHTING™

500-550 E. Erie Avenue
Philadelphia PA 19134
1-888-388-3390