

LIVING DISTRICT

Collection: Exemplar

Installation manual for:

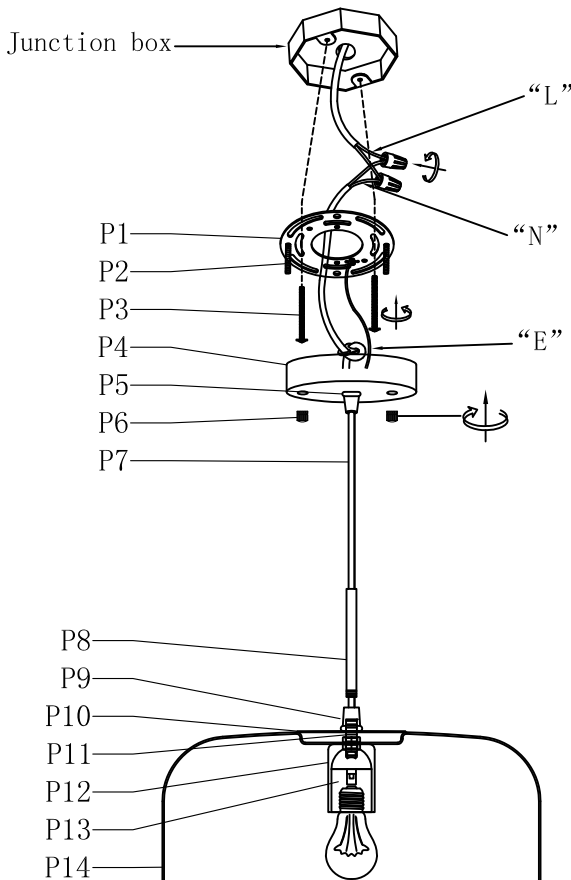
LD4072D14 D13.8"H6.4"L1

Installation instructions:

1. Install the circular tube in wire lock(P9).
2. Black wire from ceiling(junction box) attaches to "L" wire from the fixture.
3. White wire from ceiling(junction box) attaches to "N" wire from the fixture.
4. "E" wire from the fixture is attached to the mounting bracket and an additional "E" wire from the mounting bracket must be secured to the junction box.
5. Secure mounting bracket to the junction box.
6. Insert screws (P3) in side of top unit the mounting bracket.
7. Screw (P2) pass through the holes in canopy plate and tighten by nut (P6).
8. Install the bulb(not included) in lamp holder (P13).

The end!

PARTS LIST



part	picture	Description	Qty	Check list
P1		4" Mounting bracket	1	
P2		5/32-30 Screw	2	
P3		5/32-32 Screw	2	
P4		∅4.7" canopy plat	1	
P5		M4 Wire lock	1	
P6		nut	2	
P7		Power Cord 59" 18# Black	1	
P8		Circular tube	1	
P9		M4 Wire lock	1	
P10		round Metal plate	1	
P11		Thread pipe	1	
P12		E26 Light cup	1	
P13		E26 Lamp holder	1	
P14		13.8" Lamp shade	1	

"L" = Hot wire

"N" = Neutral wire

"E" = Ground wire