

LIVING DISTRICT

Collection:Nota

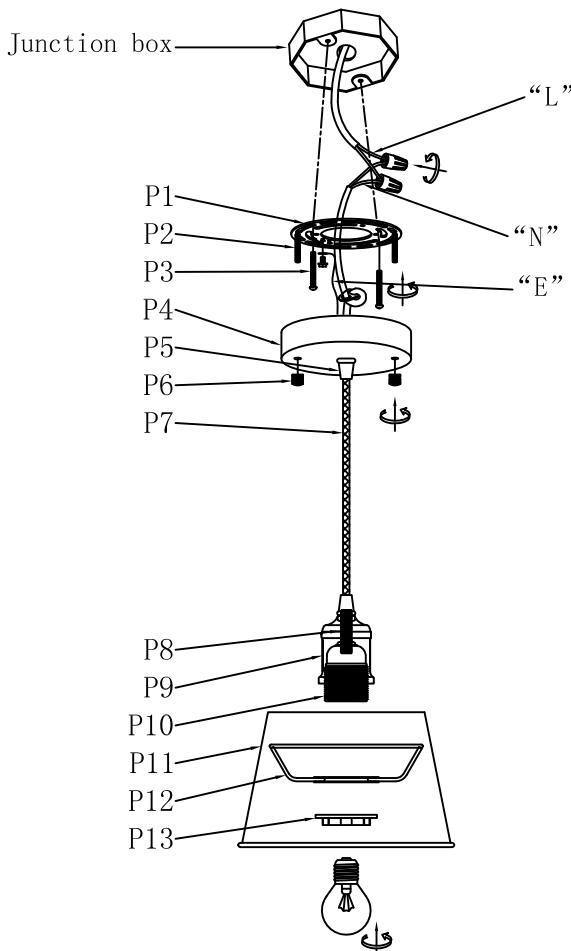
Installation manual for:

LD4056D8 D7.9"H6.9"L1

Installation instructions:

1. Using the screw (P3) secure the mounting bracket (P1) to the junction box.
 2. Black wire from ceiling(junction box) attaches to "L" wire from the fixture.
 3. White wire from ceiling(junction box) attaches to "N" wire from the fixture.
 4. "E" wire from the fixture is attached to the mounting bracket and an additional "E" wire from the mounting bracket must be secured to the junction box.
 5. M4 screw (P2) pass through the holes in canopy plate and tighten by nut (P6).
 6. Install the metal ring (P12) and lampshade (P11) then tighten by lamp holder ring (P13).
 7. Install the bulb(not included) in lamp holder (P10).
- The end!

PARTS LIST



part	picture	Description	Qty	Check list
P1		φ4.0" Mounting bracket	1	
P2		M4 Screw	2	
P3		5/32-32 Screw	2	
P4		φ4.7" Canopy plat	1	
P5		φ0.7"Wire lock	2	
P6		Nut	2	
P7		Power Cord 59" 18# Black	1	
P8		Threaded pipe	1	
P9		Lamp cup	1	
P10		E26 Lamp holder	1	
P11		7.9"Lampshade	1	
P12		Metal ring	1	
P13		E26 Lamp holder ring	1	

"L" = Hot wire

"N" = Neutral wire

"E" = Ground wire