

# LIVING DISTRICT

Collection: Brees

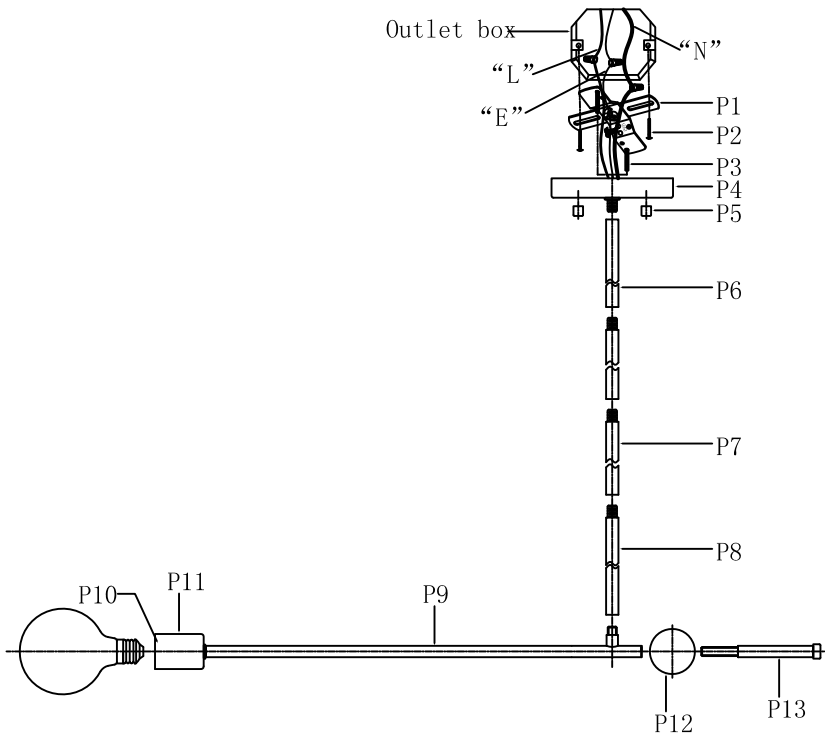
Installation manual for:

LD8042D27C L26.8"W2" H2"L1

## Installation instructions:

1. Check all of the package contents before installation.
2. Put the Ball (P12) through teeth and of short arm (P13) and screw into Long arm (P9).
3. Screw the Pipe (P8) (P7) (P6) onto the fixture arm (P9).
4. Screw the Pipe (P6) onto the Canopy (P4).
5. Fix the Mounting bracket (P1) on the outlet box with Screw (P2).
6. Connect the wire with L marking from the fixture to the BLACK wire from outlet box.
7. Connect the wire with N marking from the fixture to the WHITE wire from outlet box.
8. Loop the grounding wire (E wire) from the fixture under the head of the green ground screw on the mounting bracket (P1) and connect it to the grounding conductor from the supply circuit.
9. Adjust the angle of the fixture arms. Align the holes in the fixture with the mounting screws (P3) and secure it by screwing the ball nuts (P5).
10. Install the light bulbs (not included) into the sockets (P10).
11. Connect the power.

## PARTS LIST



part	picture	Description	Qty	Check list
P1		mounting bracket	1	
P2		8/32" Screw	2	
P3		8/32" Screw	2	
P4		Ø4.8*H0.8 Canopy	1	
P5		Ball Nut	2	
P6		Ø12.7 pipe L6"	1	
P7		Ø12.7 pipe L12"	2	
P8		Ø12.7 pipe L16"	1	
P9		Long arm	1	
P10		E26 Socket	1	
P11		Cup	1	
P12		Ball	1	
P13		Short arm	1	

"L" = Hot wire  
 "N" = Neutral wire  
 "E" = Ground wire