

# LIVING DISTRICT

Collection: Eclipse

Installation manual for:

LD6105D16 L16"W16"H17.8" L4

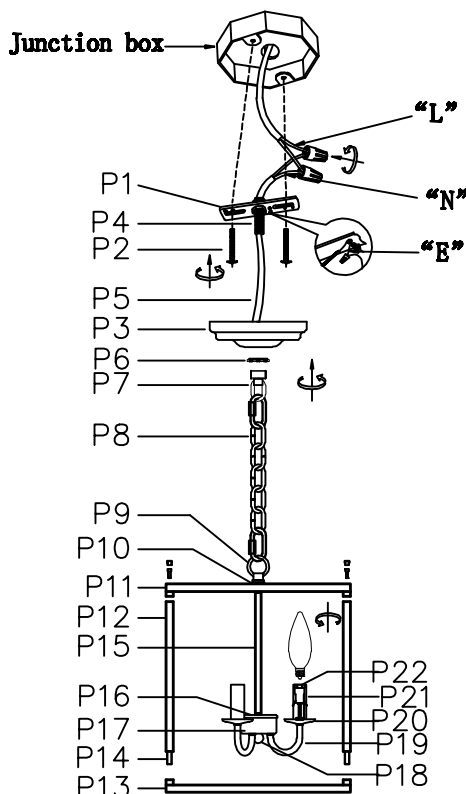
## Installation instructions:

1. Black wire from ceiling(junction box) attaches to "L" wire from the fixture.
2. White wire from ceiling(junction box) attaches to "N" wire from the fixture.
3. "E" wire from the fixture is attached to the mounting bracket and an additional "E" wire from the mounting bracket must be secured to the junction box.
4. Secure mounting bracket to the junction box.
5. Insert screws (P2) in side of top unit the mounting bracket.
6. Connect the square tube (P12) with the upper frame (P11) and the lower frame (P13) with nipple (P14), then tighten the inner hexagonal screw, and then use the cap to live in the hole. Then hang the lamp body on the suspension chain (P8) and hen connected to the crystal head (P7).
7. Put the canopy(P3) on the nipple(P4) and connect the canopy lock(P7), then use the canopy ring(P6) to screw tighten.
8. Install E12 light source, no include bulb.

## PARTS LIST

part	picture	Description	Qty	Check list
P1		1/4" Mounting bracket	1	
P2		1/8" Screw	2	
P3		D5.4" Canopy plate	1	
P4		Nipple	1	
P5		Power Cord 7.3', 18AWG, SPT-1 Gold/Black	1	
P6		Canopy ring	1	
P7		Canopy lock	1	
P8		15" CHAIN4P Plain Design	1	
P9		D1.5" Loop	1	
P10		Washer	1	
P11		116" 480, 876" Main lamp holder	1	
P12		116" Square tube	4	
P13		116" 480, 876" Main lamp holder	1	
P14		Nipple	4	
P15		111.5" Both end threaded pipe	1	
P16		D2.5" Wire Box	1	
P17		D2.36" Metal Wire Box	1	
P18		Cap nut	1	
P19		1.2.25" Arm	4	
P20		D2" Lamp holder	4	
P21		D0.87" x 1.18" Candle cover	4	
P22		E12 Socket	4	

The end!



"L" = Hot wire  
 "N" = Neutral wire  
 "E" = Ground wire