

LIVING DISTRICT

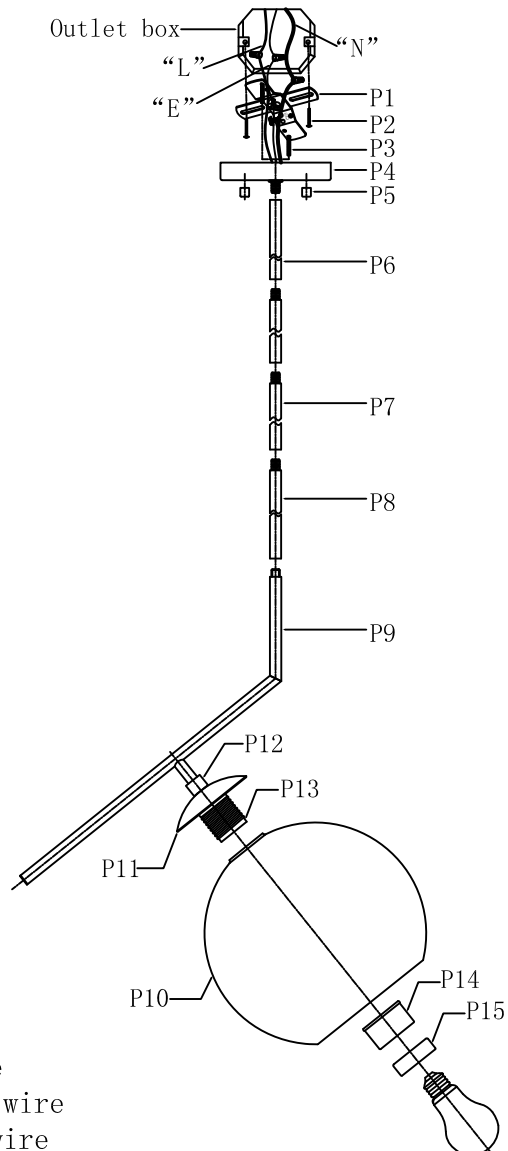
Collection: Ryland

Installation manual for:

LD8047D10BK L16"W10" H18.5" L1

Installation instructions:

1. Check all of the package contents before installation.
2. Put the Glass (P10) over on the socket (P13) and socket cover (P14) then tighten with socket ring (P15).
3. Screw the Pipe (P8) (P7) (P6) onto the fixture arm (P9).
4. Screw the Pipe (P6) onto the Canopy (P4).
5. Fix the Mounting bracket (P1) on the outlet box with Screw (P2).
6. Connect the wire with L marking from the fixture to the BLACK wire from outlet box.
7. Connect the wire with N marking from the fixture to the WHITE wire from outlet box.
8. Loop the grounding wire (E wire) from the fixture under the head of the green ground screw on the mounting bracket (P1) and connect it to the grounding conductor from the supply circuit.
9. Adjust the angle of the fixture arms. Align the holes in the fixture with the mounting screws (P3) and secure it by screwing the ball nuts (P5).
10. Install the light bulbs (not included) into the sockets (P13).
11. Connect the power.



"L" = Hot wire
 "N" = Neutral wire
 "E" = Ground wire

PARTS LIST

part	picture	Description	Qty	Check list
P1		mounting bracket	1	
P2		8/32" Screw	2	
P3		8/32" Screw	2	
P4		Ø4.8*H0.8 Canopy	1	
P5		Ball Nut	2	
P6		Ø12.7 pipe L6"	1	
P7		Ø12.7 pipe L12"	2	
P8		Ø12.7 pipe L16"	1	
P9		Arm	1	
P10		Glass shade: Ø9.9" * H8.9"	1	
P11		Cover	1	
P12		Finial	1	
P13		E26 Socket	1	
P14		Socket cover	1	
P15		Socket ring	1	