

LIVING DISTRICT

Collection:Gene

Installation manual for:

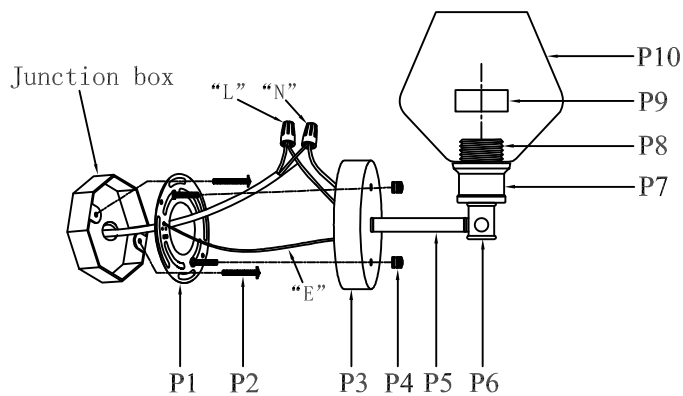
LD2313 L19.1"W8"H10.5"L2

Installation instructions:

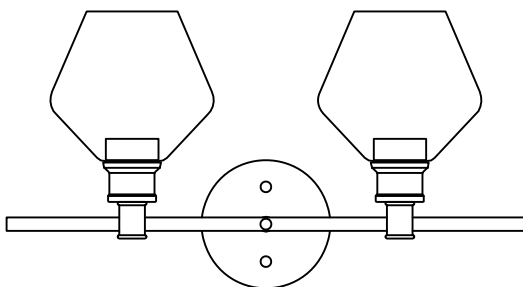
1. Black wire from ceiling(junction box) attaches to "L"wire from the fixture.
2. White wire from ceiling(junction box) attaches to "N"wire from the fixture.
3. "E" wire from the fixture is attached to the mounting bracket and an additional "E" wire from the mounting bracket must be secured to the junction box.
4. Secure mounting bracket to the junction box.
5. Insert screws(P2) in side of top unit the mounting bracket.
6. Fix the Mounting bracket(P1) to the Back plate and tighten by the Nuts(P4).
7. Fit lampshade(P10) with lampholder ring(P9).
8. Install the bulbs into the lamp fixture.(Bulb not included).

The end!

PARTS LIST



Side view



Front view

"L" = Hot wire
 "N" = Neutral wire
 "E" = Ground wire

| part | picture | Description | Qty | Check list |
|------|---------|------------------------|-----|------------|
| P1 | | ø4" Mounting bracket | 1 | |
| P2 | | 8/32-32 Screw | 2 | |
| P3 | | ø4.7" Metal Back plate | 1 | |
| P4 | | 8/32-32 Nuts | 2 | |
| P5 | | L3.4" Metal Tube | 1 | |
| P6 | | L19.1" Metal Tube | 1 | |
| P7 | | ø2.1" Metal Cup | 2 | |
| P8 | | E26 Socket | 2 | |
| P9 | | Lampholder ring | 2 | |
| P10 | | ø6" Lampshade | 2 | |
| | | | | |
| | | | | |
| | | | | |