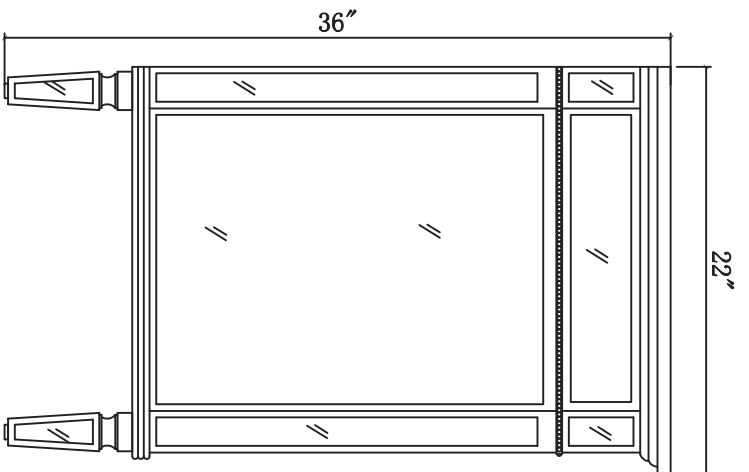
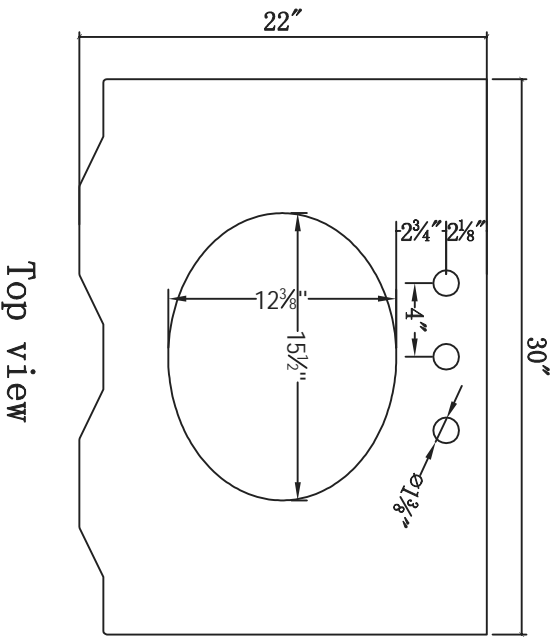


Front view



Side view



Top view

DWG. NO.

MODEL NO:

VF-1105

SPEC NO:

QUANTITY:

DATE:

CHECKED BY:

FOR PROPOSAL ONLY ALL DIMENSIONS TO BE VERIFIED

PROJECT:

COLOR:

FINISH:

REVISIONS

1	
2	
3	
4	
5	
6	

 **ELEGANT**  
FURNITURE & LIGHTING™

500-550 E. Erie Avenue

Philadelphia PA 19134

1-888-388-3390

Model #	VF-1105	Finish	silver	Mirror type	Clear mirror	Beveled glass	yes	Frame material	Solid wood and MDF
Solid wood construction	Solid wood legs	Drawers Included	yes	Number of Drawers	3	Joinery Type	SQUARE ENDED BUTT JOINT	Drawer falling	Metal
Drawer Width (in)	22-7/8"	Drawer Depth (in)	14"	Drawer Height (in)	6-7/8"	Shelves	NO	Number of Shelves	0
Doors included	NO	Number of Doors	N/A	Finished Back	silver	Hardware finish	Brushed steel finish	Assembly	No
Countertop included	Yes	Countertop material	Marble	Number of Sinks accommodated	1	Sink material	Porcelain	Sink Width	15.5"
Sink Depth	12-3/8"	Sink height	7	Sink hole size	1.75	Mounting type	Undermount	Backsplash	No
Backsplash Width	N/A	Backsplash Depth	N/A	Backsplash Height	N/A	Drain assembly included	NO	Faucet included	NO
Faucet type	NO	Faucet hole size	1.5	Faucet hole spacing	8"3 Holes	Product Width	30	Product Depth	22
Product Height	36	Package LENGTH (inches)	34.5	Package WIDTH (inches)	26	Package Height (inches)	40	Package Weight (lbs)	159
Product Weight	126.3	Shipment Type	Small Parcel	Table/Desk: top width	22"	Table/Desk top finish	White with occasional coffee color vein	glass top tempered	N/A
table top maximum weight	66 lbs	Table: seating capacity	1	upholstery color	N/A	upholstery pattern	N/A	cushion material	N/A
base finish	silver	powder coated finish	NO	base material	MDF	top material	Marble	wood species	Rubberwood
tip over restraint strap	NO	shape of top	Rectangle	lift top	NO	shelf material	MDF	adjustable shelves	NO
Drawer Handle designs	Knobs	safety stop	NO	felt lined drawers	NO	drawer glide extension	Full extension	drawer glide material	Metal
drawer dividers	NO	Drawer Interior finish	silver	Ball Bearing Glides	NO	soft close drawer glides	yes	Number of cabinets	0
shelf width (in)	N/A	shelf depth (in)	N/A	shelf height (in)	N/A	Shelf thickness	N/A	Any certification?	NO
California Proposition 65 warning required	YES	Drawer Interior width (in)	20-1/2"	Drawer Interior Depth (in)	13-1/2"	Drawers Interior Height (in)	4-1/4"	cabinet interior width	N/A
cabinet interior depth	N/A	cabinet interior height	N/A	leg width	2-1/8"	leg depth	2-1/8"	leg height	6-7/8"
gloss finish	NO	stackable	NO	leg design	straight legs	Armories: ring slots	N/A	Armories: hooks	N/A
armories: mirror dimensions	N/A	door thickness	N/A	false drawers?	NO	Vanity countertop edge style	ogee	# of faucet holes	3

DWG. NO.

MODEL NO:  
VF-1105

SPEC NO:

QUANTITY:

DATE:

CHECKED BY:

FOR PROPOSAL ONLY ALL DIMENSIONS TO BE VERIFIED

PROJECT:

COLOR:

FINISH:

REVISIONS

1	
2	
3	
4	
5	
6	

 ELEGANT  
FURNITURE & LIGHTING™

500-550 E. Erie Avenue

Philadelphia PA 19134

1-888-388-3390