

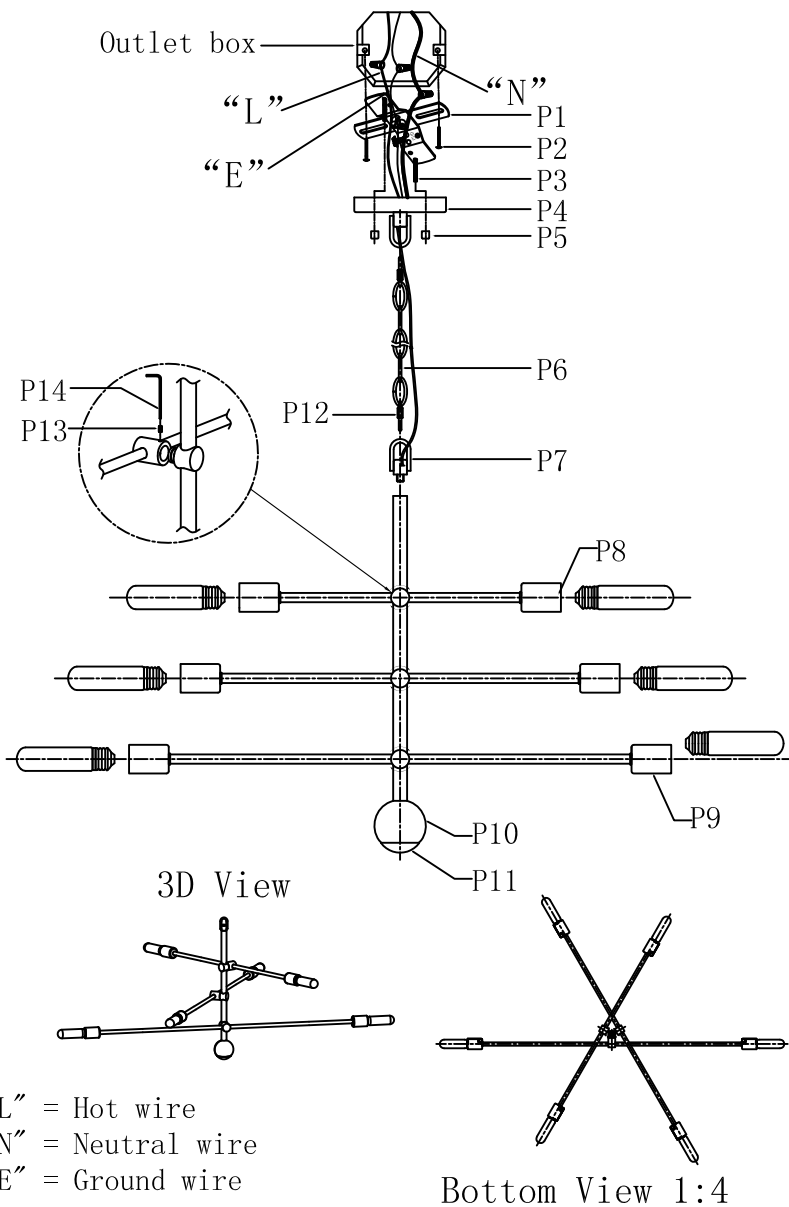
LIVING DISTRICT

Collection:Axel

Installation manual for:

LD8011D42BR D42" H21" L6

1. Check all of the package contents before installation
2. Screw the Loop(P7) onto the tube of the fixture.
3. Install the mounting bracket (P1) to the outlet box using the screws (P2).
4. Connect the wire with L marking from the fixture to the BLACK wire from outlet box.
5. Connect the wire with N marking from the fixture to the WHITE wire from outlet box.
6. Install the E wire from the fixture on the mounting bracket(P1) and connect it to the outlet box.
7. Adjust the angle of the fixture arms then fixed with the mounting screws (P3) and secure it by screwing the ball nuts (P5).
8. Use the quick link(P12)to buckle the one side on canopy(P4) and buckle the other side on the Loop(P7)
9. Install the light bulbs (not included) into the sockets(P8)
10. Adjust the Lamp to the suitable angle then fixed by the Allen wrench (P14) and the Set screw(P13)
11. Connect the power.



PARTS LIST

part	picture	Description	Qty	Check list
P1		mounting bracket	1	
P2		8/32" Screw	2	
P3		8/32" Screw	2	
P4		∅4.7*H1 Canopy	1	
P5		Ball Nut	2	
P6		L60"Chain04P Plain design	1	
P7		Loop	1	
P8		E26 Socket	6	
P9		Cup	6	
P10		Cover	1	
P11		Cover	1	
P12		Quick link	2	
P13		Set screw	3	
P14		Allen wrench	1	