

LIVING DISTRICT

Collection: Malibu

Installation manual for:

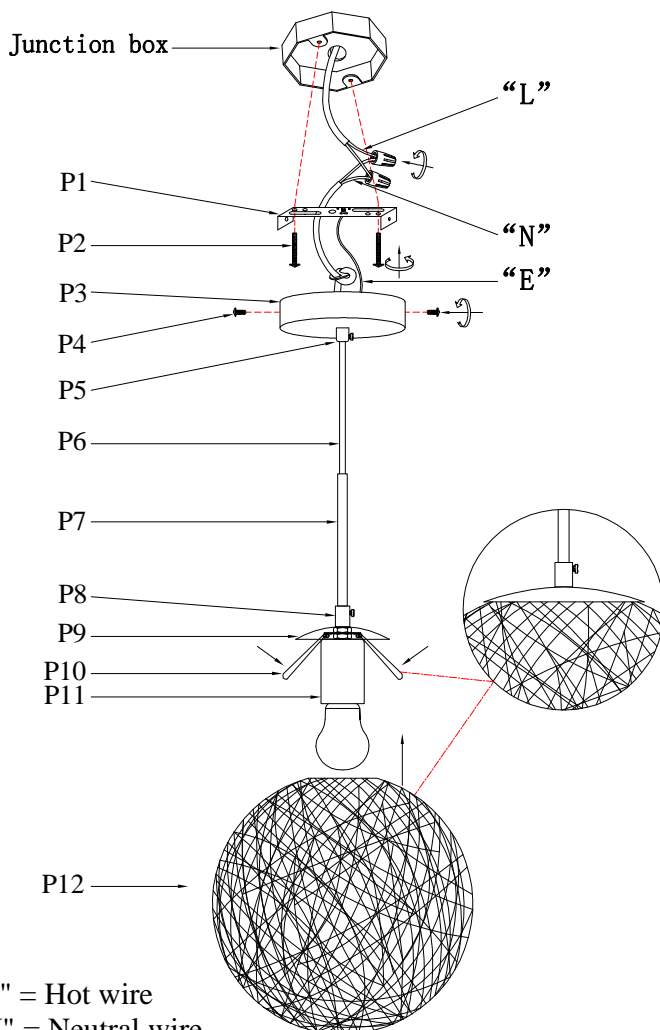
LD2233BK D9. 8"H10. 8"L1

Installation instructions:

1. Black wire from ceiling(junction box) attaches to "L" wire from the fixture.
2. White wire from ceiling(junction box) attaches to "N" wire from the fixture.
3. "E" wire from the fixture is attached to the mounting bracket and an additional "E" wire from the mounting bracket must be secured to the junction box.
4. Secure mounting bracket to the junction box.
5. Insert screws(P2) in side of top unit the mounting bracket.
6. Fix the Mounting bracket(P1) to the Canopy and tighten by the screws(P4).
7. Install the bulbs into the lamp fixture.(Bulb not included).
8. Fit shade(P12) onto lampholder with Spring(P10) ensuring stability.

The end!

PARTS LIST



part	picture	Description	Qty	Check list
P1		L4.5" Mounting bracket	1	
P2		5/32-32 Screw	2	
P3		ø4.7" Metal Canopy	1	
P4		M4 Screw	2	
P5		Wire lock	1	
P6		Power Cord 60" 18# Black	1	
P7		L5.1" Metal Tube	1	
P8		Wire lock	1	
P9		ø3.5" Metal Cover	1	
P10		ø4.7" Spring	1	
P11		E26 Metal Cup	1	
P12		ø9.8" Lampshade	1	