

LIVING DISTRICT

Collection: Maddox

Installation manual for:

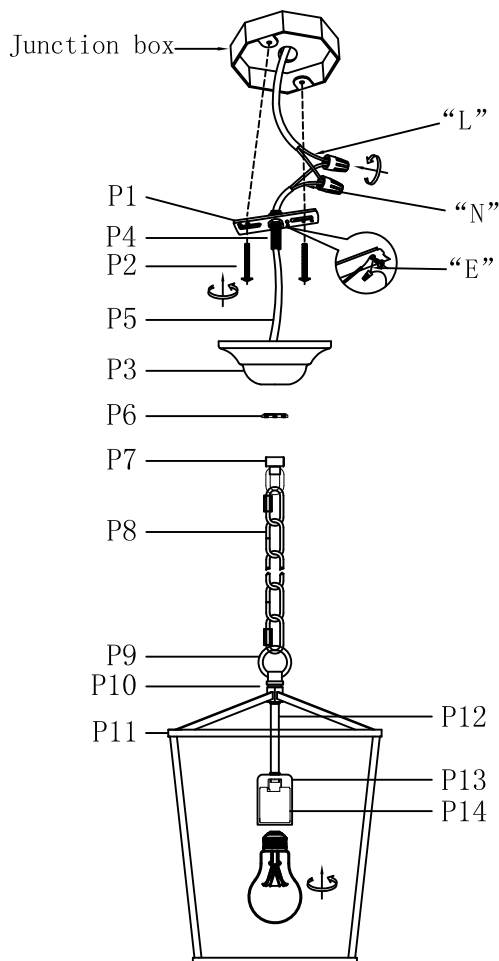
LD6008D9 L9.75"W9.75"H14.5" L1

Installation instructions:

1. Black wire from ceiling(junction box) attaches to "L"wire from the fixture.
2. White wire from ceiling(junction box) attaches to "N"wire from the fixture.
3. "E" wire from the fixture is attached to the mounting bracket and an additional "E" wire from the mounting bracket must be secured to the junction box.
4. Secure mounting bracket to the junction box.
5. Insert screws (P2) in side of top unit the mounting bracket.
6. Put the canopy(P3) on the nipple(P4) and connect the canopy lock(P7), then use the canopy ring(P6) to screw tighten.
7. Hang the lamp body to the chain(P8) and connect the canopy lock(P7).
8. Install E26 light source.

The end!

PARTS LIST



part	picture	Description	Qty	Check list
P1		L4" Mounting bracket	1	
P2		5/32-32 Screw	2	
P3		D5.1" Canopy cover	1	
P4		Nipple	1	
P5		Power Cord 7.7', 18AWG, SPT-1 Clear/Gold/Black	1	
P6		Canopy ring	1	
P7		Canopy lock	1	
P8		L5' CHAIN04P Plain Design	1	
P9		D1.5" Loop	1	
P10		W9.7"*H12.64" Main lamp holder	1	
P11		Washer	1	
P12		L5.15" Both end threaded pipe	1	
P13		Socket cover	1	
P14		E26 Socket	1	

"L" = Hot wire
 "N" = Neutral wire
 "E" = Ground wire