

# LIVING DISTRICT

Collection:Caro

Installation manual for:

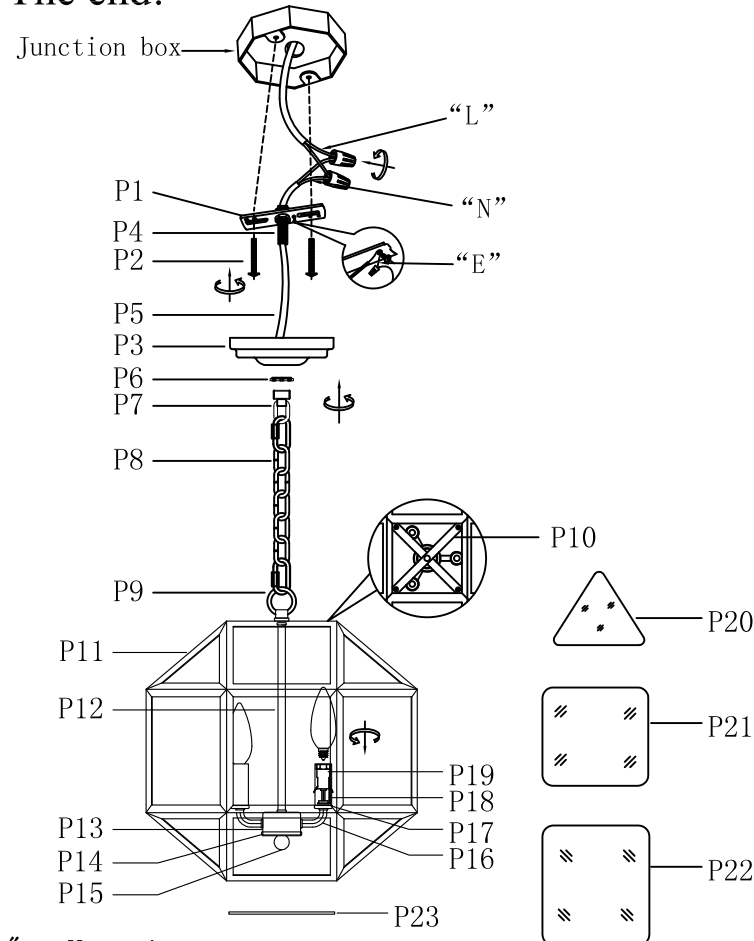
LD6001D19 D19"H20" L4

## Installation instructions:

1. Black wire from ceiling(junction box) attaches to "L"wire from the fixture.
2. White wire from ceiling(junction box) attaches to "N"wire from the fixture.
3. "E" wire from the fixture is attached to the mounting bracket and an additional "E" wire from the mounting bracket must be secured to the junction box.
4. Secure mounting bracket to the junction box.
5. Insert screws (P2) in side of top unit the mounting bracket.
6. Install E12 light source, no include bulb.
7. Put the glass to the frame and screw tighten.
8. Hang the lamp body to the chain(P8) and connect the canopy lock(P7).
9. Put the canopy(P3) on the nipple(P4) and connect the canopy lock(P7), then use the canopy ring(P6) to screw tighten.

## PARTS LIST

The end!



part	picture	Description	Qty	Check list
P1		L4" Mounting bracket	1	
P2		5/32-32 Screw	2	
P3		D5.4" Canopy plat	1	
P4		Nipple	1	
P5		Power Cord 8.3', 18AWG, SPT-1 Clear/Gold/Black	1	
P6		Canopy ring	1	
P7		Canopy lock	1	
P8		L5' CHAIN04P Plain Design	1	
P9		D1.5" Loop	1	
P10		D9.4" Cross	1	
P11		D19.3" Lamp Body	1	
P12		L15.1" Both end threaded pipe	1	
P13		D2.36" Metal Wire Box	1	
P14		D2.48" Wire Box	1	
P15		Cap nut	1	
P16		L2.6" Arm	4	
P17		Check ring	4	
P18		D0.87"*L2.75" Candle cover	4	
P19		E12 Socket	4	
P20		L6.85"*W5.47" Glass GLASS124CL	8	
P21		L7.7"*W7" Glass GLASS124CL	8	
P22		L8.5"*W7.7" Glass GLASS124CL	8	
P23		L7.7"*W7.7" Glass GLASS124CL	1	

"L" = Hot wire

"N" = Neutral wire

"E" = Ground wire