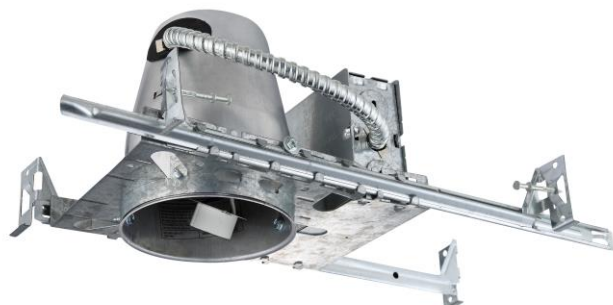
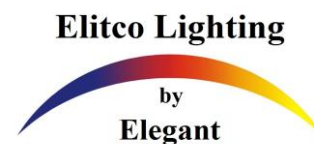


ICAT4N-GU10LED-6PK

4" LINE VOLTAGE GU10 ICAT NEW CONSTRUCTION IC AIRTIGHT HOUSING
120V-IC AIRTIGHT GU10 HOUSING



PRODUCT DESCRIPTION

ICAT4N-GU10LED housing is designed for IC rated ceilings. Accommodates up to 50W MAX GU10 Halogen & LED lamps.

SPECIFICATIONS:

HOUSING: 5 1/2" profile for shallow ceilings. Pre-wired. 0.37" steel housing adjusts up to 1 3/4" ceiling thickness. Trim is secured with torsion wing spring/ standard coil springs. Designed to be installed in new construction applications. IC rated housing may have direct contact with insulation.

AIR FLOW RESTRICTION: Airtight models are designed to restrict air flow from room into plenums in compliance to the WSEC- Washington State Energy Code (less than 2.0 CFM-Cubic Feet per Minutes)

MOUNTING: Supplied with (2) 25" adjustable bar hangers. Bar hangers equipped with screw spike which for secure mounting in wood joints. Brackets may be flattened out to accommodate 27" flat bar hangers.

JUNCTION BOX: Pre-wired, galvanized steel J-box (25 cubic inch) with (4) knock-outs. Strain clamps and ground wire. Equipped with safety standard thermal protector rated for 90°C.

LABELS: UL/CUL listed (CUL listed number: E356594), ETL/Cetl listed (3194213)

