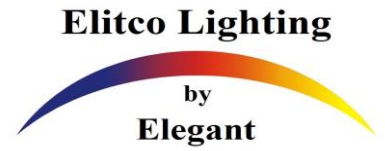


# TC4R-E26 (Old Model: RE4R20RAT)

4" LINE VOLTAGE REMODEL NONIC

AIRTIGHT HOUSING 120V- Non IC Air Tight PAR20/16 BR20 Housing



**Project**

**Location**

## PRODUCT DESCRIPTION

**TC4R-E26** housing is designed for NON-IC rated ceiling. Accommodates up to PAR16 PAR20 BR20 LED lamps.

## SPECIFICATIONS

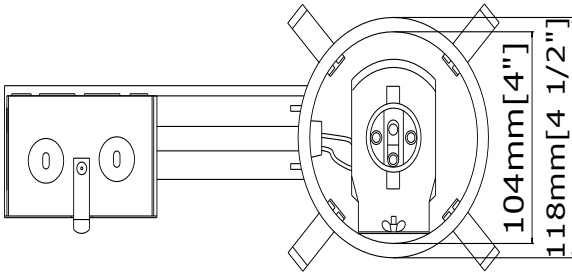
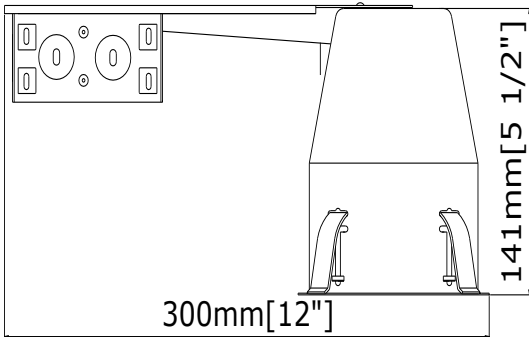
**HOUSING:** Pre-wired .037" steel housing adjusts up to 1 3/4" ceiling thickness. Trim is secured with torsion wing springs/standard coil springs. Designed to be installed in existing sheet rock ceilings via ceiling cut out (above ceiling access is not required). Non IC rated housing must be kept 3" from insulation.

**AIR FLOW RESTRICTION:** Airtight models are designed to restrict air flow from room into plenums in compliance to the WSEC-Washington State Energy Code (less than 2.0 CFM-Cubic Feet per Minutes)

**MOUNTING FRAME:** 4 High tension remodeling clips designed to secure the housing to an existing sheet rock ceiling

**JUNCTION BOX:** Pre-wired, galvanized steel J-box with (4) knock-outs. Comes with WAGO connectors. Strain clamps and ground wire. Equipped with safety standard thermal protector rated for 90°C.

**LABELS:** ETL/CETL listed (ETL listed number: 4005878) ETL listed for through-branch wiring (4) No. 12 AWG 90°C and damp locations.



## COMPATIBLE TRIMS

Model	Description	Finish
R4-108CB	4" Line Shower Trim 120V PAR20 BR20 TRIM	matte Brushed Nickel
R4-108CW	4" 35 DEGREES ADJUSTABLE SPOT PAR20 BR20 TRIM	matte white
R4-489BN	4" 35 DEGREE ADJUSTABLE SPOT PAR20 BR20 TRIM	matte White and Brushed Nickel
R4-489CH	4" 35 DEGREES ADJUSTABLE SPOT PAR20 BR20 TRIM	matte chrome
R4-495MW	4" Line Shower Trim 120V PAR20 BR20 TRIM	matte Brushed Nickel