

# SMR61240K-6PK

CRI 90 4000K 700 Lumens LED Round Panel Light



This general application light fixture, features a 12 watt LED module that maintains uniform intensity producing up to 700LM, with a typical CRI of 90 and a 50,000 hour life span.

## Performance

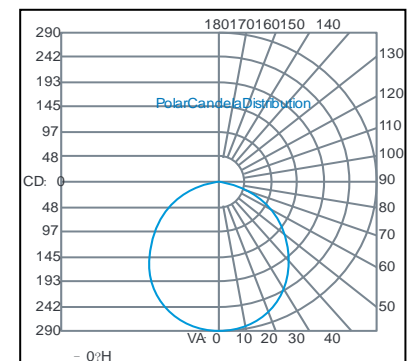
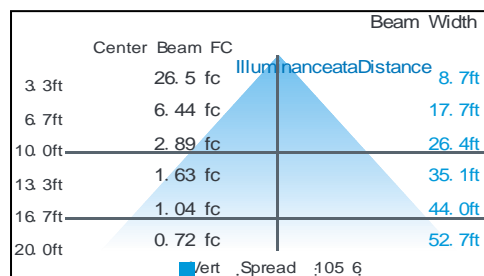
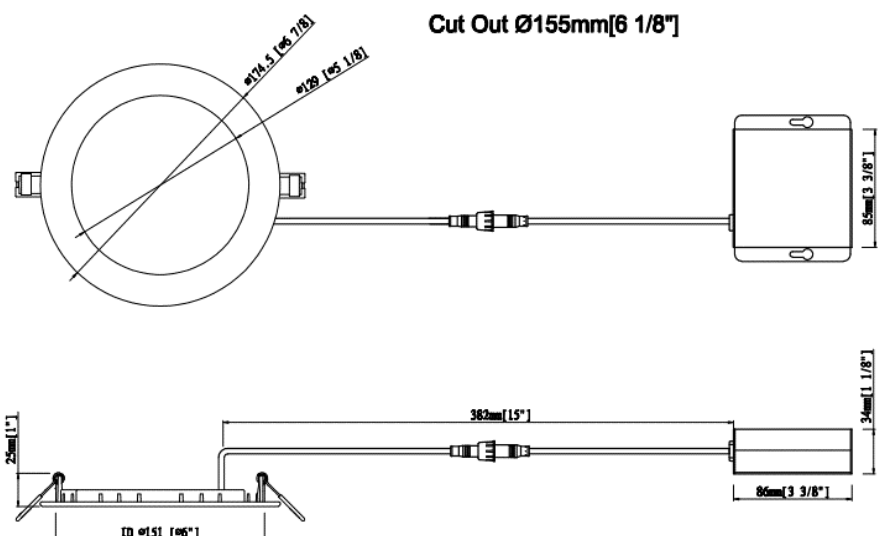
- Suitable for insulated ceiling applications.
- Dimmable with most standard incandescent (triac) and low voltage electronic (ELV) dimmers for 10-100% light control
- Eliminate up to 14 lamps replacements - long life Hongli LED last up to 50,000 hours, compared to incandescent lamps with a rated life of 2,500 hours
- Energy Star and ETL compliant, for use in damp locations

## Construction

- Aluminum trim ring with durable powder coat finish
- Polycarbonate lens diffuses light
- Individual Junction Box

## Installation

Recessed mount into 6" housing. Includes medium base socket adaptor for easy retrofitting in 6" recessed housings.



## Specifications

Category	Slim Ceiling Light	Individual Box Weight Per Unit (Lbs)	1.94
Shape	ROUND	Inner Package Length (Inch)	16.93
Bulb Base Type	INTEGRATED LED	Inner Package Width (Inch)	7.84
Bulb Base Finish	NO	Inner Package Height (Inch)	7.68
Color Temperature	4000K	Inner Package Weight Per Unit (Lbs)	12.64
Beam Angle	120°	Inner Package Quantity	6
Finish	White		
CRI	90		
Average Life (Hours)	50000		
Estimated Yearly Energy Cost (11 ¢/Kwh)	1.45		
Life Based On 3Hrs/Day (Years)	45.66		
Product Length (Inch)	N/A	Lamp Type	LED
Product Width (Inch)	6.5	Bulb Shape	N/A
Product Height (Inch)	1	Dry/Wet/Damp	DAMP
Product Extension (Inch)	N/A	Energy Star	YES
Product Weight Per Unit (Lbs)	0.95	Power Factor	>0.9
Dimmable	YES	Current	270mA
Watts	12	Lumen/Watt	65
Watt Equivalent	65	Warranty (Year)	5
Lumens	700	DLC (Yes/No)	NO
Certification (UL/ETL/FCC)	ETL	Input Voltage	120V
Individual Box Length (Inch)	7.48	Housing Material	Aluminum
Individual Box Width (Inch)	7.09	Lens	Acrylic
Individual Box Height (Inch)	2.75	Led Type	HONGLI