

GU10LED101-6PK

7W LED GU10 BULB

This GU10 bulb is specifically for indoor lighting,
25,000 hours lifespan is guaranteed.

It will not interfere with other electrical devices such as electronic garage controllers.

Performance

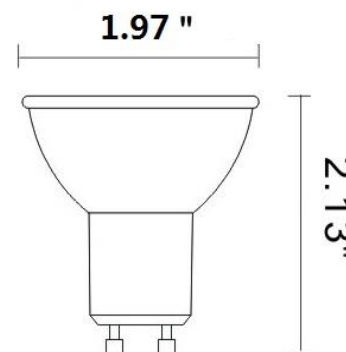
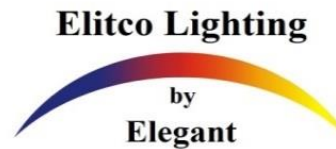
- Suitable for indoor lighting.
- Dimmable with most dimmer;
Dimming smoothly from 100% to 5%
- 75W GU10 halogen replacement;
comparable to halogen lamps with a rated life of 25,000 hours;
- UL compliant, FCC certified.

Construction

- Thermal plastics with metal housing
- Electroplated Base
- Integrated driver

Installation

- Directly replace a 75W GU10 halogen lamp.
- Suitable for dry locations.
- 120V, 60Hz input.



Specifications

| | | | |
|---|------------|-------------------------------------|--|
| Category | Light Bulb | Inner Package Length (Inch) | 6.46 |
| Bulb Shape | GU10 | Inner Package Width (Inch) | 4.33 |
| Bulb Base Type | GU10 | Inner Package Height (Inch) | 2.72 |
| Bulb Base Finish | White | Inner Package Weight Per Unit (Lbs) | 1.1 |
| Color Temperature | 3000K | Inner Package Quantity | 6 |
| Beam Angle | 35° | | |
| Finish | White | | |
| CRI | 80 | | |
| Average Life (Hours) | 25000 | | |
| Estimated Yearly Energy Cost (11 ¢/Kwh) | 0.84 | | |
| Life Based On 3Hrs/Day (Years) | 22.83 | Lamp Type | LED |
| Product Length (Inch) | N/A | Dry/Wet/Damp | Dry |
| Product Width (Inch) | Φ1.97" | Energy Star | NO |
| Product Height (Inch) | 2.13" | Power Factor | 0.6 |
| Product Extension (Inch) | N/A | Current | 70mA |
| Product Weight Per Unit (Lbs) | 0.14 | Lumen/Watt | 74 |
| Dimmable | YES | Warranty (Year) | 3 |
| Watts | 7W | DLC (Yes/No) | No |
| Watt Equivalent | 75W | Input Voltage | 120V |
| Lumens | 520 | Housing Material | Aluminum alloy+High thermal conductive plastic |
| Certification (UL/FCC/RoHS) | UL | Lens | Polycarbonate |
| Individual Box Length (Inch) | 2.05 | Led Type | Sanan |
| Individual Box Width (Inch) | 2.05 | | |
| Individual Box Height (Inch) | 2.48 | | |
| Individual Box Weight Per Unit (Lbs) | 0.16 | | |