

RES30CH

6" LINE VOLTAGE ALZAK REFLECTOR

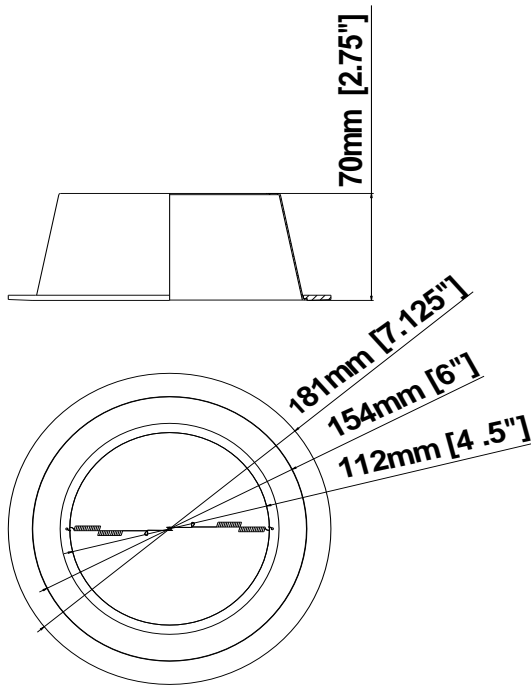
120V PAR30 TRIM

Elitco Lighting



Project

Location



PRODUCT DESCRIPTION

6" Line Voltage Alzak Reflector Trim

To be used in line voltage, airtight application.

LAMPING: Accommodates a 75W PAR30, R30, 65W BR30 bulb. Please see housing for maximum wattage allowed according to selection.

Powder coated for abrasion resistance, steel coil spring secure to housing.

DIAMETER: 7 1/8"

FINISHES: Chrome

RING FINISHES: White (Plastic)

COMPATIBLE HOUSINGS

Model	Description
RE7ICA	6" LINE VOTLAGE NEW CONSTRUCTION IC AIRTIGHT PAR30/R30 HOUSING
RE7RICA	6" LINE VOLTAGE REMODAL IC AIRTIGHT PAR30/R30 HOUSING