

REM40WH

6" LINE VOLTAGE BAFFLE

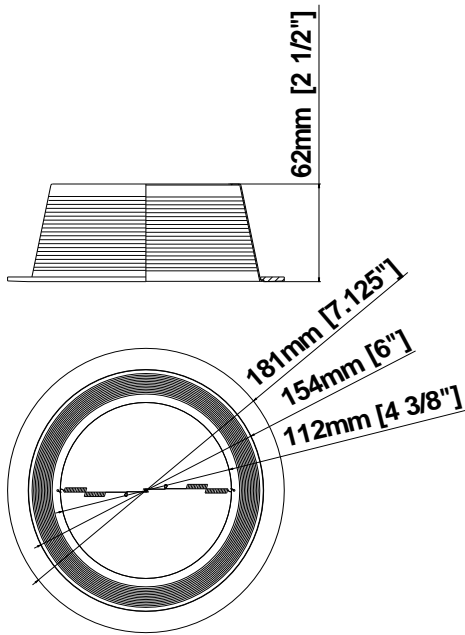
120V PAR38 TRIM

Elitco Lighting



Project

Location



PRODUCT DESCRIPTION

6" Line Voltage Baffle Trim

To be used in line voltage, airtight application.

LAMPING: Accommodates a 75W PAR38, R30, 65W BR40 bulb. Please see housing for maximum wattage allowed according to selection.

Powder coated for abrasion resistance, steel coil spring secure to housing.

DIAMETER: 7 1/8"

FINISHES: Matte White

COMPATIBLE HOUSINGS

Model	Description
RE7ICA	6" LINE VOTLAGE NEW CONSTRUCTION IC AIRTIGHT PAR30/R30 HOUSING
RE7RICA	6" LINE VOLTAGE REMODAL IC AIRTIGHT PAR30/R30 HOUSING