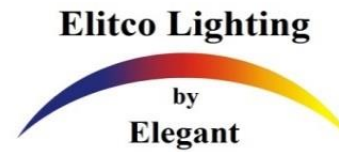


GUCOB-7-D-41-35-6PK

CRI 80 4100K 530Lumens LED Reflector

The high performance LED GU10 Lamp
 Perfect for track and recessed light fixtures.
 For commercial or home lighting applications
 Easy to use - designed in traditional bulb shapes and fits easily into existing fixtures



Performance

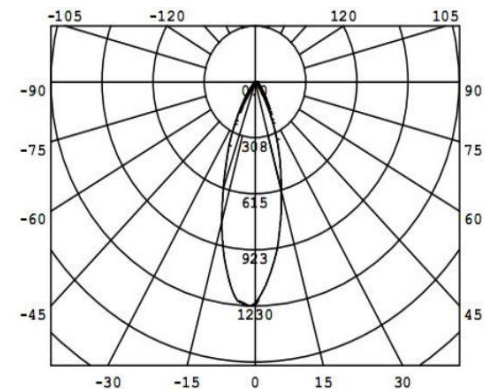
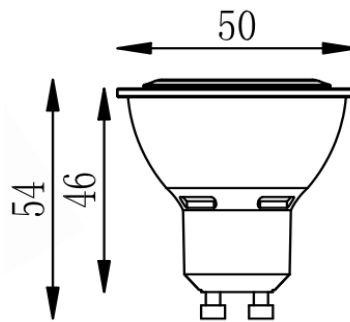
- LED GU10 BULB is designed to provide 25000 hours of life
- Energy-saving & Super bright, saving 85% energy compared with traditional halogen lamp
- UL compliant.

Construction

- Die-cast Aluminum for excellent heat dissipation
- Dimmable.

Installation

- Rated for indoor use.
- Suitable for damp locations.
- Can't be used in totally enclosed fixtures
- Not for use with emergency exit fixtures or emergency exit lights
- Size: $\Phi 1.95$ "(50mm)*H2.13"(54mm)



Specifications

Category	Light Bulb	Inner Package Length (Inch)	6.22
Bulb Shape	GU10	Inner Package Width (Inch)	4.17
Bulb Base Type	GU10	Inner Package Height (Inch)	2.6
Bulb Base Finish	White	Inner Package Weight Per Unit (Lbs)	0.99
Color Temperature	4100K	Inner Package Quantity	6
Beam Angle	35°		
Finish	White		
CRI	80		
Average Life (Hours)	25000		
Estimated Yearly Energy Cost (11 ¢ /Kwh)	0.84		
Life Based On 3Hrs/Day (Years)	22.83	Lamp Type	LED
Product Length (Inch)	N/A	Dry/Wet/Damp	Damp
Product Width (Inch)	1.95	Energy Star	NO
Product Height (Inch)	2.13	Power Factor	>0.9
Product Extension (Inch)	N/A	Current	75mA
Product Weight Per Unit (Lbs)	0.12	Lumen/Watt	76
Dimmable	YES	Warranty (Year)	3
Watts	7W	DLC (Yes/No)	No
Watt Equivalent	50W	Input Voltage	120V
Lumens	530	Housing Material	Aluminum
Certification (UL/ETL/FCC)	UL	Lens	Plastic
Individual Box Length (Inch)	1.97	Led Type	Epistar
Individual Box Width (Inch)	1.97		
Individual Box Height (Inch)	2.36		
Individual Box Weight Per Unit (Lbs)	0.17		