

36" Gas Slide-In Cooktop Specifications

- Product Weight – 113 Lbs.
- Voltage Rating – 120V/1.2W/60 Hz/15 Amp
- Connected Load (kW Rating) @ 120 Volts = 0.001 kW (For use on adequately wired 120V, dedicated circuit having 2-wire service with a separate ground wire. Appliance must be grounded for safe operation.)
- Amps @ 120 Volts = 0.008 Amps
- Always consult local and national electric and gas codes.
- Cooktop ships with 3/4" factory regulator.
- LP Gas conversion kit supplied.
- Respect critical dimensions as noted for proper installation of cooktop.
- Overhead cabinetry should not exceed a 13" maximum depth.
- Allow 30" minimum clearance between top of cooktop and bottom of unprotected wood or metal overhead cabinetry.
- Absolute minimum horizontal distance between overhead cabinets installed to either side of appliance must be no less than maximum width of appliance.
- Allow 24" minimum clearance when bottom of wood or metal overhead cabinet is protected by not less than 1/8" flame-retardant millboard covered with not less than No.28 MGS sheet steel, 0.015" stainless steel, 0.024" aluminum or 0.020" copper.
- Allow 1" minimum clearance between rear edge of cutout and nearest combustibles surface above countertop.
- Allow 7" minimum clearance from edge of cooktop to nearest combustibles wall on either side of unit.

- It is recommended that drawers not be used beneath cooktop.
- To reduce risk of fire when using overhead cabinetry, install vent hood that projects horizontally a recommended minimum of 7" beyond bottom of cabinets.
- Gas Slide-In Cooktop model E36GC75GSS is NOT approved to be used over any Electrolux ICON® Single Wall Oven.
- Gas Slide-In Cooktop model E36GC75GSS (without optional backsplash) is approved to be used in combination with an Electrolux ICON® 36" Downdraft Vent. (Refer to Slide-In Cooktop/Downdraft Vent Countertop Preparation page on web for detailed installation specifications.) Proper combination installation will require cooktop power cord to be relocated to underside of unit. (For details, refer to 30" & 36" Gas Slide-In Cooktop Power Cord Relocation Instructions on web.)

Note: For planning purposes only. Refer to Product Installation Guide on the web at electroluxicon.com for detailed instructions.

Optional Accessories

- When replacing an existing cooktop with countertop cutout deeper than 7-1/4" and less than 8-1/2", order free Depth Adjustment Filler Kit – (PN# 903051-9010).
- 9" Stainless Steel Backsplash – (PN# 903048-9010).
- Black Knobs Kit – (PN# 903049-9120).

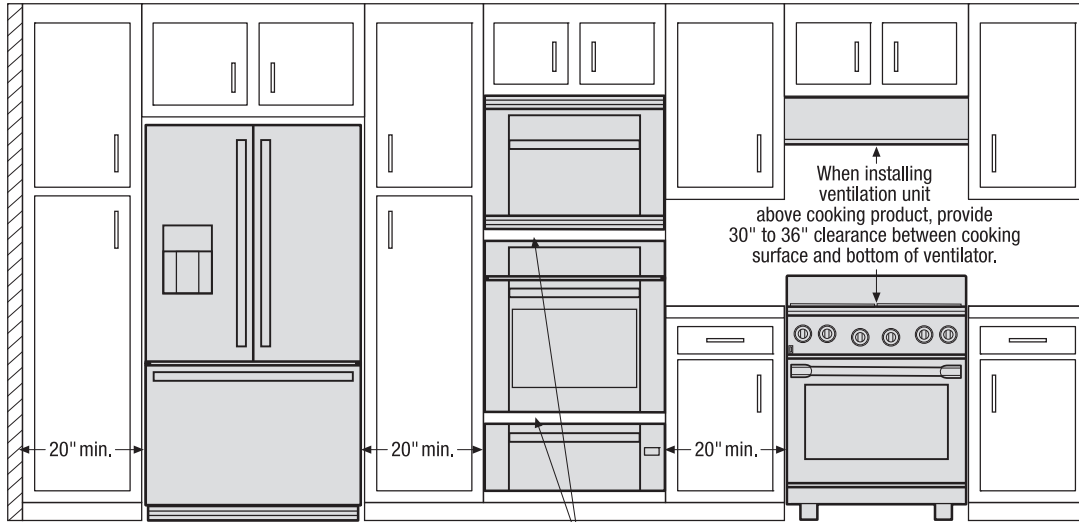
Electrolux Major Appliances, N.A.

USA • 10200 David Taylor Drive • Charlotte, NC 28262 • 1-877-4electrolux (1-877-435-3287) • electroluxicon.com
 CANADA • 5855 Terry Fox Way • Mississauga, ON L5V 3E4 • 1-800-265-8352 • electroluxicon.ca



Use these dimensions and clearance instructions for planning purposes only. For detailed installation instructions, refer to installation guide, packed with product, or on the web at electroluxicon.com.

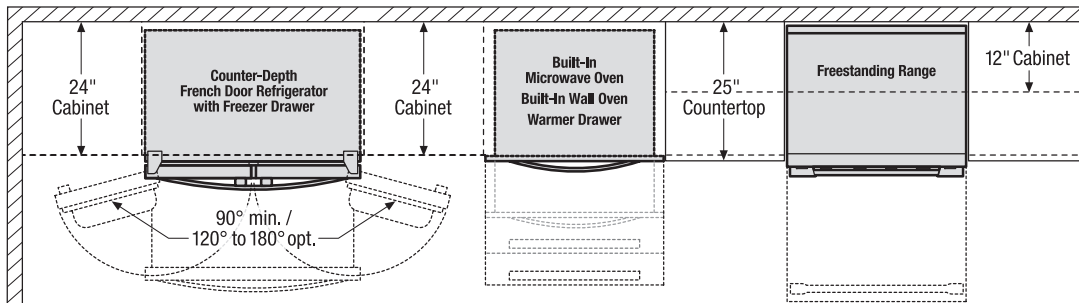
Front



When installing appliances adjacent to each other, 20" minimum distance between each appliance required.

When installing built-in cooking appliances in combination, 2" minimum visible gap between appliance faceplates required.

Top

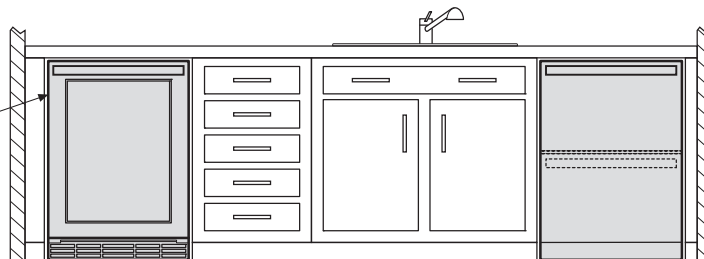


When installing refrigerator adjacent to wall, cabinet or another appliance that extends beyond front edge of unit, 20" minimum clearance recommended to allow for optimum 120° to 180° door swing, providing complete drawer/crisper access and removal.

When installing appliance with sliding drawer or drop-down door directly across from obstructions, provide sufficient clearance for drawer extension or door swing.

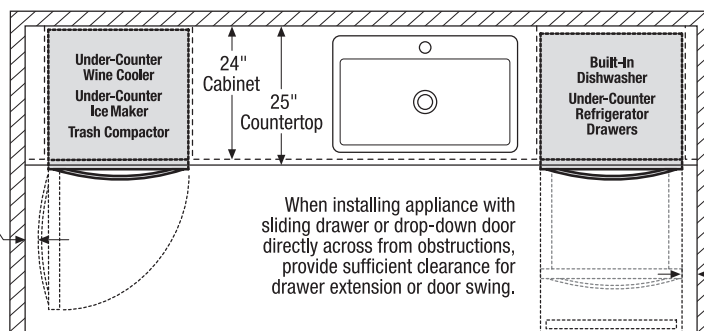
Front

To ensure optimum performance, avoid installing refrigeration appliances in direct sunlight or near heat source.



Top

When installing appliance with side-swing door adjacent to wall, cabinet, or other obstruction that extends beyond front edge of appliance, door swing and handle clearance must be sufficient to allow access to appliance interior.



When installing appliance with sliding drawer or drop-down door directly across from obstructions, provide sufficient clearance for drawer extension or door swing.

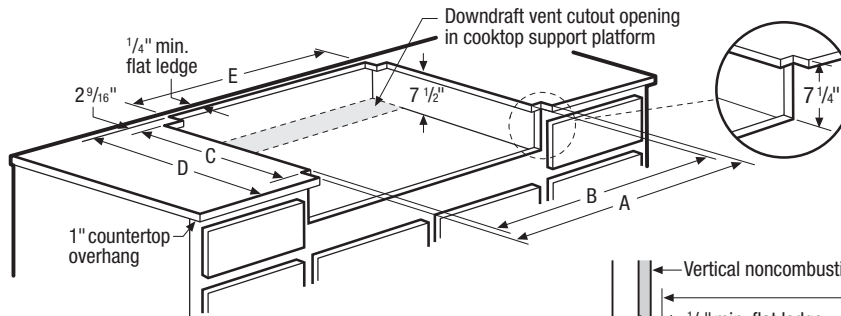
When installing appliance with sliding drawer or drop-down door adjacent to wall, cabinet, or other obstruction that extends beyond front edge of appliance, allow 2" minimum clearance between drawer or door and obstruction.

Electrolux Major Appliances, N.A.

USA • 10200 David Taylor Drive • Charlotte, NC 28262 • 1-877-4electrolux (1-877-435-3287) • electroluxicon.com
CANADA • 5855 Terry Fox Way • Mississauga, ON L5V 3E4 • 1-800-265-8352 • electroluxicon.ca

High standards of quality at Electrolux Home Products, Inc. mean we are constantly working to improve our products. We reserve the right to change specifications or discontinue models without notice.

Countertop Preparation for 30" & 36" Slide-In Cooktop/Downdraft Vent Installation



For detailed cooktop and downdraft vent installation specifications, refer to model-specific product page and installation guide on web

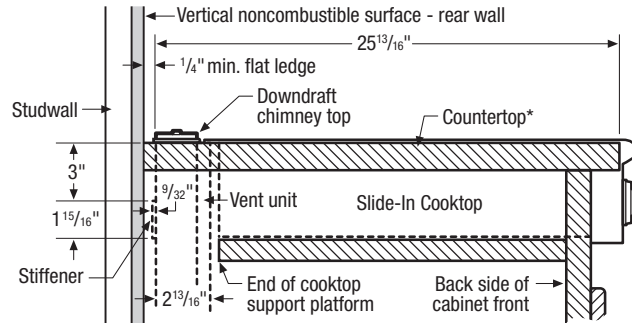
E30DD75ESS/30" Cooktop Cutout Dimensions

30" Cooktop	A	B	C	D	E
E30GC74GPS*	29 ¹⁵ / ₁₆ "	29 ³ / ₁₆ "	22"	25 ¹³ / ₁₆ "	27 ³ / ₄ "

E36DD75ESS/36" Cooktop Cutout Dimensions

36" Cooktops	A	B	C	D	E
E36EC75DSS	35 ¹⁵ / ₁₆ "	35 ³ / ₁₆ "	22"	25 ¹³ / ₁₆ "	33 ³ / ₄ "
E36EC75ESS	35 ¹⁵ / ₁₆ "	35 ³ / ₁₆ "	22"	25 ¹³ / ₁₆ "	33 ³ / ₄ "
E36EC75HSS	35 ¹⁵ / ₁₆ "	35 ³ / ₁₆ "	22"	25 ¹³ / ₁₆ "	33 ³ / ₄ "
E36GC75DSS*	35 ¹⁵ / ₁₆ "	35 ³ / ₁₆ "	22"	25 ¹³ / ₁₆ "	33 ³ / ₄ "
E36GC75ESS*	35 ¹⁵ / ₁₆ "	35 ³ / ₁₆ "	22"	25 ¹³ / ₁₆ "	33 ³ / ₄ "
E36GC75GSS*	35 ¹⁵ / ₁₆ "	35 ³ / ₁₆ "	22"	25 ¹³ / ₁₆ "	33 ³ / ₄ "
E36GC76EPS*	35 ¹⁵ / ₁₆ "	35 ³ / ₁₆ "	22"	25 ¹³ / ₁₆ "	33 ³ / ₄ "
E36GC76GPS*	35 ¹⁵ / ₁₆ "	35 ³ / ₁₆ "	22"	25 ¹³ / ₁₆ "	33 ³ / ₄ "

*Proper combination installation will require cooktop power cord to be relocated to underside of unit. (For details, refer to 30" & 36" Gas Slide-In Cooktop Power Cord Relocation Instructions page.)



Cooktop Installation Note:

To ensure proper installation, refer to model-specific installation guide on web for cooktop dimensions, cutout dimensions and cabinet requirements.

Countertop Preparation Note:

Countertop with backsplash may not allow enough flat area for proper installation, 2-13/16" of flat countertop required behind cooktop. No gap required between back of cooktop and front of downdraft trim piece.

*Standard 25" countertop depth is NOT adequate for slide-in cooktop/vent installations.

Slide-In Cooktop/Downdraft Vent Countertop Preparation Specifications

- For detailed Slide-In Cooktop installation, refer to model-specific product page and installation guide on web. Plan installation so that all required minimum clearances between cooktop, overhead cabinets and adjacent vertical walls are provided.
- Position cooktop/vent cutout so all required minimum clearances are met.
- Minimum flat countertop area must meet or exceed combined overall width and depth as shown. Standard 25" countertop depth is NOT adequate for slide-in cooktop/vent installations.
- Separate circuits required for cooktop and vent. (Refer to product-specific electrical specifications.)
- Always consult local and national electric and gas codes. Check local building codes for installation requirements, as they may vary per locale.
- Proper combination installation will require 30" & 36" Gas Slide-In Cooktop power cord to be relocated to underside of unit. (For details, refer to 30" & 36" Gas Slide-In Cooktop Power Cord Relocation Instructions on web.)

Downdraft Vent Specifications

- For detailed Downdraft Vent installations, refer to model-specific product page and installation guide on web.
- Voltage Rating – 120V/ 60Hz/ 15 Amps
- Connected Load (kW Rating) @ 120 Volts = 1.0kW
(For use on adequately wired 120V, dedicated circuit having 2-wire service with a separate ground wire. Appliance must be grounded for safe operation.)

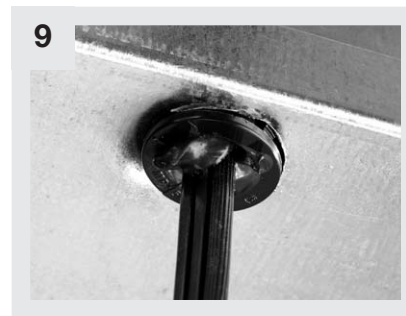
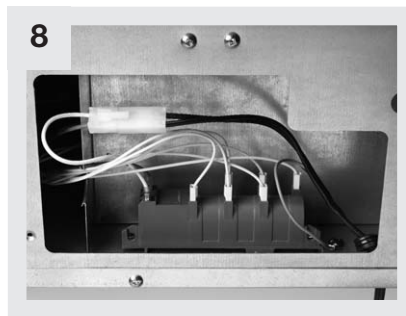
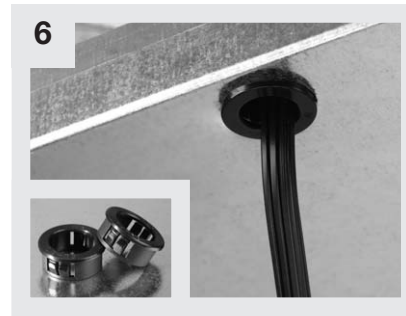
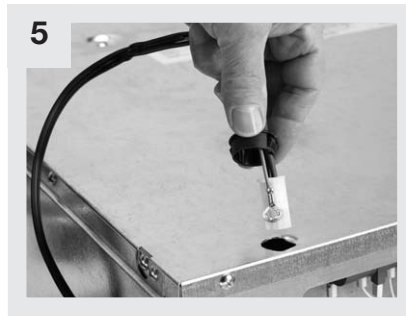
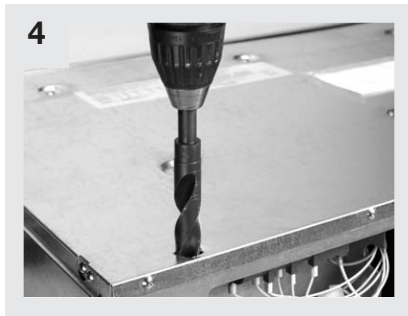
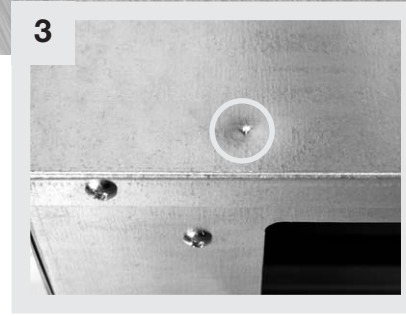
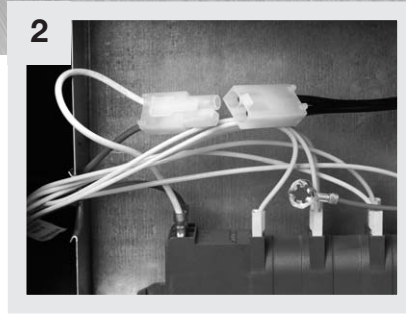
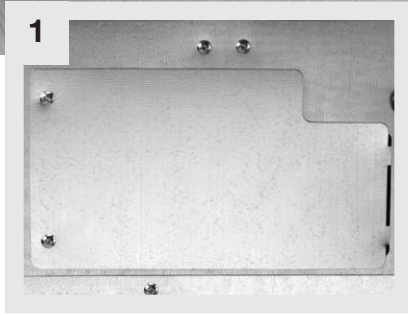
- Amps @ 120 Volts = 8.0 Amps
- Vent unit outside of building only.
- Vent must be installed in vertical orientation only.
- 1,600 CFM remote exhaust blower (PN# 5304444802) included with vent – shipped in separate box.
- Do not use flexible duct. Round duct instead of rectangular duct recommended, especially when elbows are required.
- When multiple elbows are necessary, ensure a minimum of 24" of straight duct between any two elbows.
- Thermal breaks such as short section of nonmetallic duct, should be used in areas of extreme cold.
- For most efficient airflow exhaust, use a straight run or as few elbows as possible.
- Cold weather installations should have additional backdraft damper installed.
- Installing a Downdraft Vent in combination with any gas cooking surface will affect optimum burner efficiency.
- Downdraft Vents can NOT be used in combination with any cooktop backsplash.

Note: For planning purposes only. Refer to Product Installation Guide on the web at electroluxicon.com for detailed instructions.

Electrolux Major Appliances, N.A.

USA • 10200 David Taylor Drive • Charlotte, NC 28262 • 1-877-4electrolux (1-877-435-3287) • electroluxicon.com
CANADA • 5855 Terry Fox Way • Mississauga, ON L5V 3E4 • 1-800-265-8352 • electroluxicon.ca

30" & 36" Gas Slide-In Cooktop Power Cord Relocation Instructions



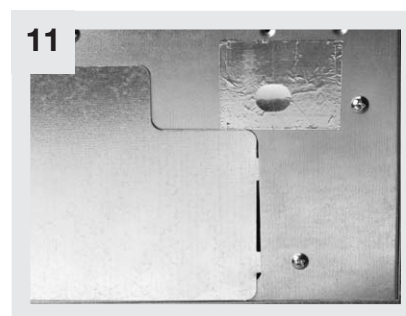
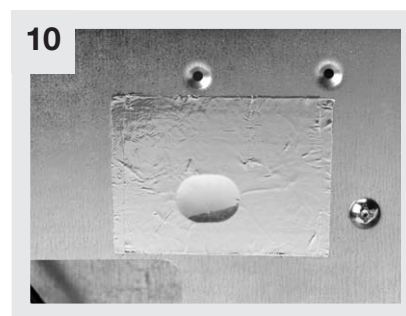
To install an Electrolux ICON® Gas Slide-In Cooktop in combination with an Electrolux ICON® Downdraft Vent, cooktop power cord **MUST** be relocated to underside of unit. Gas Slide-In Cooktops requiring this procedure are: E30GC74GPS, E36GC75DSS, E36GC75ESS, E36GC75GSS, E36GC76EPS and E36GC76GPS. Please have qualified electrician perform following rewiring procedure in accordance with local and national electric codes.

Tools & Materials:

Phillips-Head Screwdriver, Hammer, Awl or Punch, Drill with 3/4" drill bit, 2-Plastic Inserts (73209-2470), Silicone Caulk and Aluminum Tape.

Procedure:

1. Remove electrical access panel from rear of cooktop.
2. Disconnect power cord and ground wires, then remove from cooktop.
3. Locate area for new hole to be drilled, 1/2" in from back edge on underside of cooktop, then mark hole location using an awl or punch.
4. Use 3/4" drill bit to drill new hole completely through.
5. Route power cord wires through hole.
6. Place plastic inserts in upper and lower drilled holes to protect cord.
7. Knot power cord to secure into place.
8. Reconnect power cord and ground wires.
9. Fill remaining hole surrounding power cord with silicone caulk.
10. Cover both sides of original hole with two layers of aluminum tape.
11. Screw electrical access panel back in place.



Electrolux Major Appliances, N.A.

USA • 10200 David Taylor Drive • Charlotte, NC 28262 • 1-877-4electrolux (1-877-435-3287) • electroluxicon.com
CANADA • 5855 Terry Fox Way • Mississauga, ON L5V 3E4 • 1-800-265-8352 • electroluxicon.ca