

# French Door Refrigerator

E23BC78IPS professional series



### Custom Temp Drawer™

Enjoy the ultimate in versatility with 9 preset selections including White/Sparkling Wine, Fish/Shellfish, Cheese plus three customizable settings that ensure foods stay at the ideal temperature for serving and maintaining freshness.



### Custom-Design™ Organization System

With our flexible Tri-Level freezer organization system you can keep your freezer well organized. The three Smooth-Glide® baskets with removable dividers and top removable baskets allow you to configure the space to neatly fit large and small items.



### Theatre Lighting

Transition LED lighting gradually illuminates the interior with soft but ample light as you open the door.



### PureAdvantage® Filtration Systems

Our filtration system keeps clean, filtered air circulated throughout to prevent odor transfer and keeps fresh, clean water and ice at your fingertips.

## 23 CU. FT. COUNTER-DEPTH FRENCH DOOR REFRIGERATOR

### CAPACITIES

Total Capacity	22.6 Cu. Ft.
Fresh Food Volume	15.7 Cu. Ft.
Freezer Volume	6.9 Cu. Ft.
Total Shelf Area	26.45 Sq. Ft.
Fresh Food Shelf Area	18.72 Sq. Ft.
Freezer Shelf Area	7.7 Sq. Ft.

### EXTERIOR

Professional Doors and Handle Design	Yes
Wave-Touch® Electronic Controls	Yes
Door Hinge Covers	Yes
Ice/Water Dispenser	Yes
Custom-Set™ Temperature Control System and Display	Yes
Crushed/Cubes/Water	Yes
Air and Water Filter Indicator/Reset	Yes
Ice Maker On/Off	Yes
Fast Freeze™	Yes
Lock/Dispenser Light Control	Yes/Yes

### FRESH FOOD CONVENIENCES

PureAdvantage® Water & Ice / Air Filtration	Yes
Water Filter Location	Bottom Left
Temp Alarm System / Door Ajar Alarm / Power Failure Alarm	Yes
Custom-Design™ Glass Shelves	3 Half Width 1 Quarter Width
Smooth-Glide® Humidity-Controlled Left Crisper	Yes
Smooth-Glide® Humidity-Controlled Right Crisper	Yes
Custom Temp Drawer™	Yes
Wine Rack	Yes
Clear Gallon Adjustable Door Bins	1
Clear 1/2-Gallon Adjustable Door Bins	1
Clear 2-Liter/1/2-Gallon Removable Door Bins	2
Locking Clear Utility Bin	Yes
Tilt-Out Can Racks	2
Theatre Ramp-Up Multilevel Lighting – LED	Yes
Automatic Ice Maker	Yes

### FREEZER CONVENIENCES

Self-Closing Drawer	Yes
Sliding Full-Width Freezer Baskets	3 Smooth-Glide® (2 with Dividers)
Plastic Basket Tray	1
Tilt-Out Wire Door Racks	1
Theatre Ramp-Up Multilevel Lighting – LED	Yes

### ADDITIONAL FEATURES

ENERGY STAR®	Yes
Sabbath Mode (Star-K® Certified)	Yes

### ACCESSORIES

Collar Kit – PN# ECK23CDS*	Optional
Louvered Trim Kit – PN# 241723001*	Optional
Water Filter Replacement Cartridge – PN# EWF01	Optional
Air Filter Replacement Cartridge – PN# EAFCBF	Optional

### SPECIFICATIONS

Overall Exterior Dimensions –	
Height (with Hinges and 3/8" Rollers)	69-1/2"
Cabinet Width/Door Width	35-5/8"/36"
Depth (Including Handle)	29-1/2"
(with 90° Doors Open)	42-9/16"
(with Drawer Fully Extended)	44-1/2"
Power Supply Connection Location	Right Bottom Rear
Water Inlet Location	Left Bottom Rear
Voltage Rating	120V/60Hz/15 or 20A
Connected Load (kW Rating) @ 120 Volts‡	1.02
Minimum Circuit Required (Amps)	15
Shipping Weight (Approx.)	348 Lbs.

\*For detailed Louvered Trim Kit and Collar Kit installation instructions, refer to Product Installation Guides on the web at [electroluxicon.com](http://electroluxicon.com).

‡An electrical supply with grounded three-prong receptacle is required. The power supply circuit must be installed in accordance with current edition of National Electrical Code (NFPA 70) and local codes & ordinances.

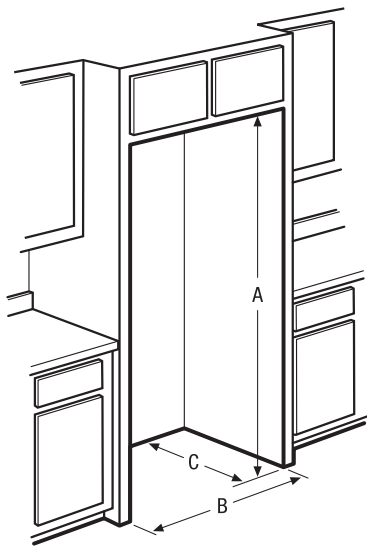
NOTE: Always consult local and national electric and plumbing codes. Refer to Product Installation Guide for detailed installation instructions on the web at [electroluxicon.com](http://electroluxicon.com).

Specifications subject to change.

# French Door Refrigerator

E23BC78IPS professional series

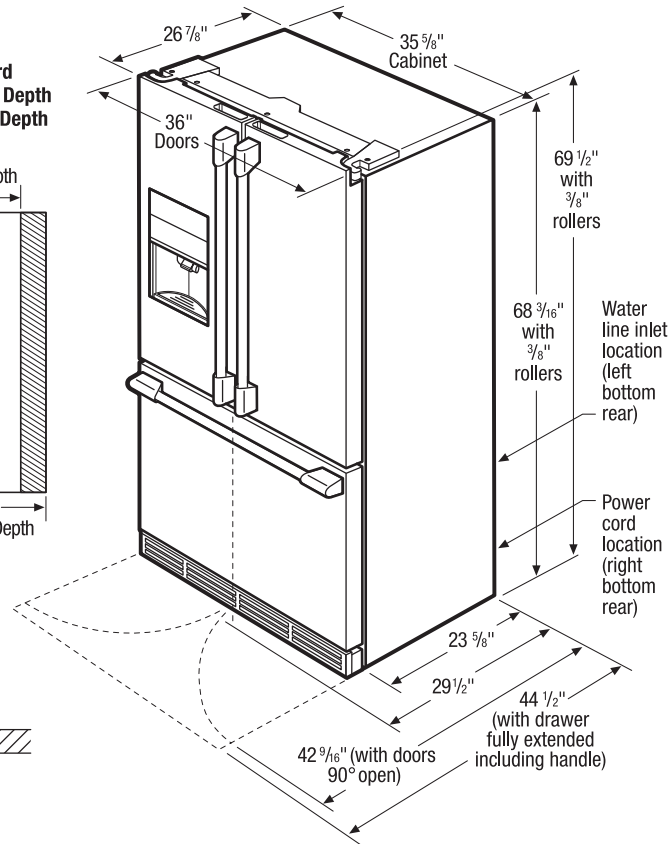
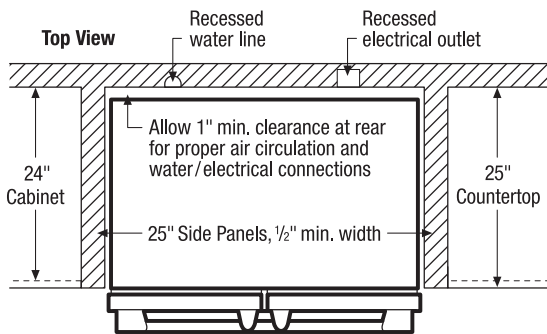
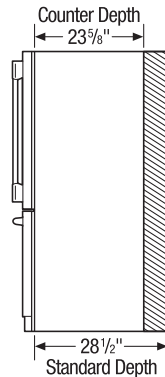
Electrolux | ICON®



**“Built-In Look” Cutout Dimensions**

(A) 70 1/4" (B) 36" (C) 25"

**Standard Refrigerator Depth vs. Counter Depth**



**Note:** Optional Louvered Trim Kit and Collar Kit available for French Door Counter-Depth Refrigerator. For specifications, refer to Louvered Trim Kit (241723001) Installation page or Collar Kit (ECK23CDS) Installation page on web.

## Counter-Depth French Door Refrigerator Specifications

- Product Weight – 338 Lbs.
- An electrical supply with grounded three-prong receptacle is required. The power supply circuit must be installed in accordance with current edition of National Electrical Code (NFPA 70) and local codes & ordinances.
- Voltage Rating – 120V/60Hz/15 or 20 Amps
- Connected Load (kW Rating) @ 120 Volts = 1.02kW
- Amps @ 120 Volts = 8.5 Amps
- Always consult local and national electric & plumbing codes.
- Floor should be level surface of hard material, capable of supporting fully loaded refrigerator.
- When installing refrigerator adjacent to wall, cabinet or other appliance that extends beyond front edge of unit, 20" minimum clearance recommended to allow for optimum 120° to 180° door swing, providing complete drawer/crisper access and removal. (*Absolute 4-1/2" minimum clearance will ONLY allow for 90° door swing which will provide drawer/crisper access with restricted removal.*)
- To ensure optimum performance, avoid installing in direct sunlight or close proximity to range, dishwasher or other heat source.
- For proper ventilation, front grille MUST remain unobstructed.
- Recess electrical outlet when possible.
- Water recess on rear wall recommended to prevent water line damage.
- Water Pressure – Cold water line must provide between 30 and 100 pounds per square inch (psi).

- Copper tubing with 1/4" O.D. recommended for water supply line with length equal to distance from rear of unit to household water supply line plus 7 additional feet. Optional Water Supply Installation Kits available.
- Adjustable front rollers to assist with door alignment.
- If optional Collar Kit (PN# ECK23CDS) is to be used, different cutout dimensions are required. (*Refer to Collar Kit ECK23CDS Installation Specifications page on web.*)
- If optional Louvered Trim Kit (PN# 241723001) is to be used, different cutout dimensions are required. (*Refer to Louvered Trim Kit 241723001 Installation Specifications page on web.*)

## “Built-In Look” Specifications

- Minimum opening of 70-1/4"H x 36"W x 25"D required to allow for ease of installation, proper air circulation, and plumbing/electrical connections.
- Remove all wall/floor molding prior to installation.

**Note:** For planning purposes only. Refer to Product Installation Guide on the web at [electroluxicon.com](http://electroluxicon.com) for detailed instructions.

## Optional Accessories

- Collar Kit – (PN# ECK23CDS).
- Louvered Trim Kit – (PN# 241723001).
- PureAdvantage® Water Filter Replacement Cartridge – (PN# EWF01).
- PureAdvantage® Air Filter Replacement Cartridge – (PN# EAFCBF).

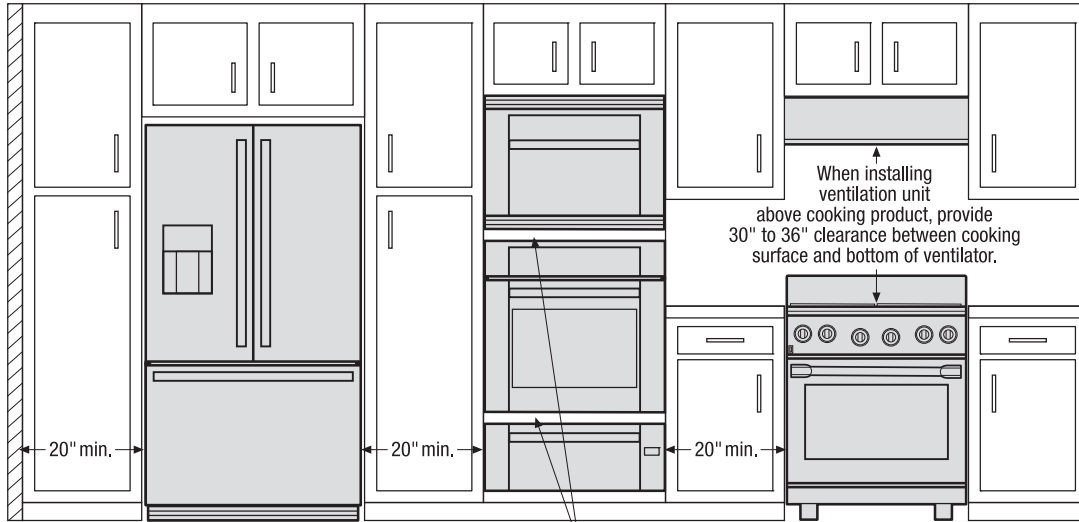
## Electrolux Major Appliances, N.A.

USA • 10200 David Taylor Drive • Charlotte, NC 28262 • 1-877-4electrolux (1-877-435-3287) • [electroluxicon.com](http://electroluxicon.com)  
 CANADA • 5855 Terry Fox Way • Mississauga, ON L5V 3E4 • 1-800-265-8352 • [electroluxicon.ca](http://electroluxicon.ca)



Use these dimensions and clearance instructions for planning purposes only. For detailed installation instructions, refer to installation guide, packed with product, or on the web at [electroluxicon.com](http://electroluxicon.com).

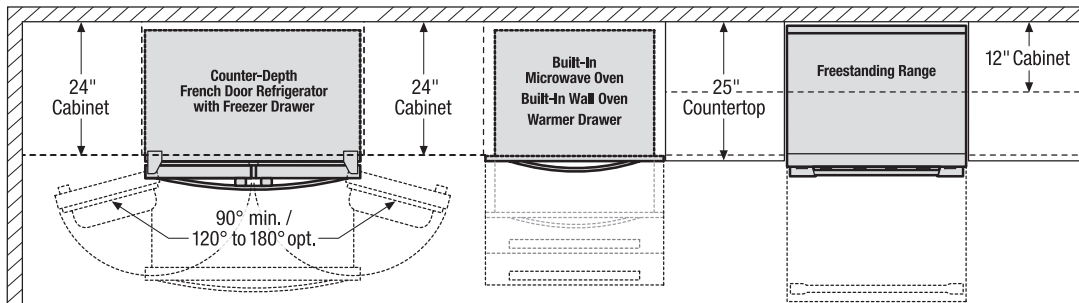
Front



When installing appliances adjacent to each other, 20" minimum distance between each appliance required.

When installing built-in cooking appliances in combination, 2" minimum visible gap between appliance faceplates required.

Top

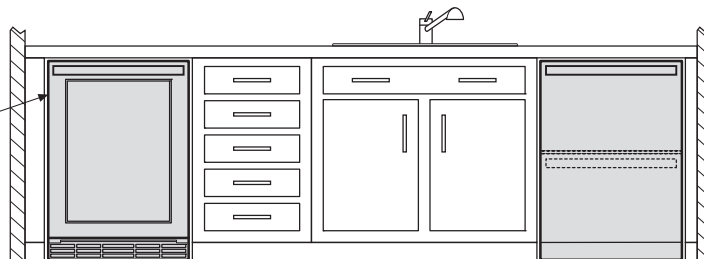


When installing refrigerator adjacent to wall, cabinet or another appliance that extends beyond front edge of unit, 20" minimum clearance recommended to allow for optimum 120° to 180° door swing, providing complete drawer/crisper access and removal.

When installing appliance with sliding drawer or drop-down door directly across from obstructions, provide sufficient clearance for drawer extension or door swing.

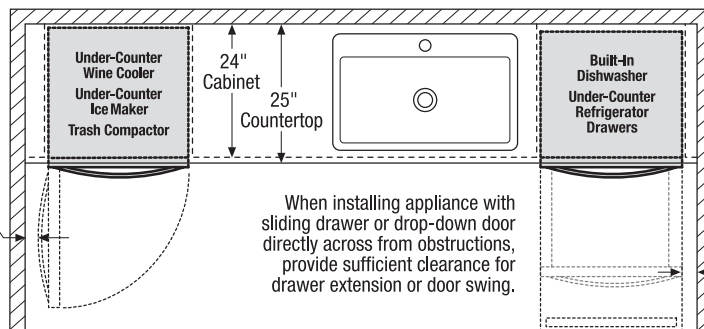
Front

To ensure optimum performance, avoid installing refrigeration appliances in direct sunlight or near heat source.



Top

When installing appliance with side-swing door adjacent to wall, cabinet, or other obstruction that extends beyond front edge of appliance, door swing and handle clearance must be sufficient to allow access to appliance interior.



When installing appliance with sliding drawer or drop-down door directly across from obstructions, provide sufficient clearance for drawer extension or door swing.

When installing appliance with sliding drawer or drop-down door adjacent to wall, cabinet, or other obstruction that extends beyond front edge of appliance, allow 2" minimum clearance between drawer or door and obstruction.

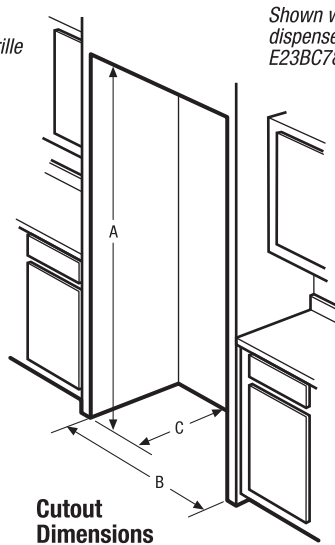
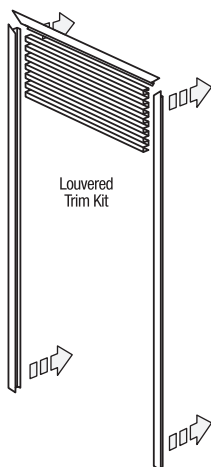
Electrolux Major Appliances, N.A.

USA • 10200 David Taylor Drive • Charlotte, NC 28262 • 1-877-4electrolux (1-877-435-3287) • [electroluxicon.com](http://electroluxicon.com)  
CANADA • 5855 Terry Fox Way • Mississauga, ON L5V 3E4 • 1-800-265-8352 • [electroluxicon.ca](http://electroluxicon.ca)

High standards of quality at Electrolux Home Products, Inc. mean we are constantly working to improve our products. We reserve the right to change specifications or discontinue models without notice.

## Louvered Trim Kit (241723001)

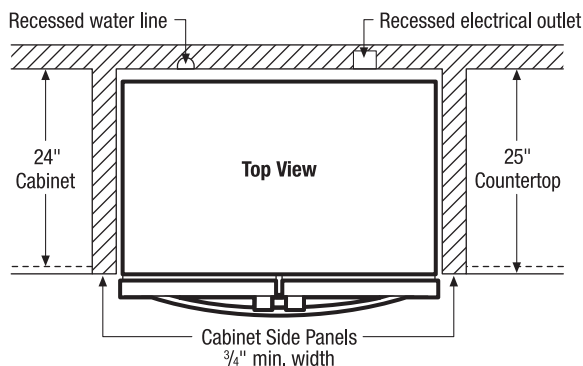
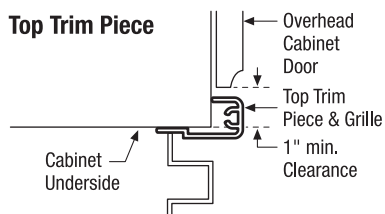
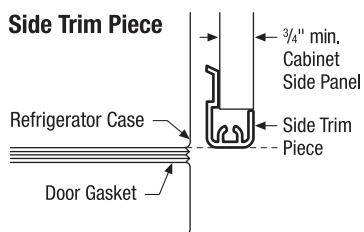
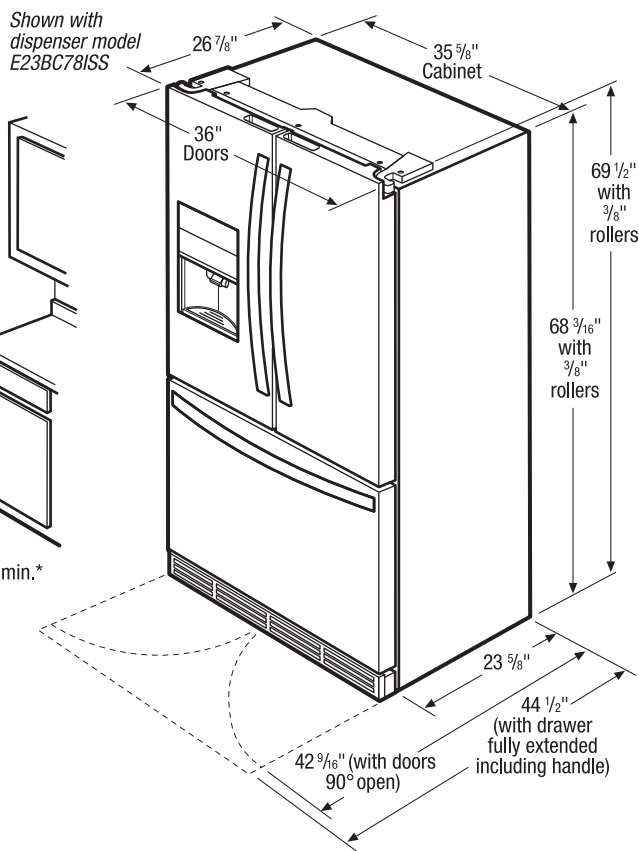
Kit includes: Louvered top grille and side/top trim pieces.



**Cutout Dimensions**  
(A) 80 3/4" (B) 37 1/4" (C) 24" min.\*

\*Minimum depth from face of cabinet side panels and requires recessed electrical outlet and water line.

**Note:** Refer to detailed Louvered Trim Kit (241723001) Installation instructions included with kit or on web.



## Counter-Depth French Door Refrigerator Optional Louvered Trim Kit (241723001) Specifications

- To use Louvered Trim Kit (PN# 241723001), an enclosure is required around Counter-Depth French Door Refrigerator having an opening of 80-3/4" H x 37-1/4" W with minimum cabinet side panels of 24" D x 3/4" W.
- Minimum 24" depth requires recessed electrical outlet and water line.
- Add maximum of 1/4" to 70-1/4" opening height when installed with frameless-style overhead cabinets, for door opening clearance.
- Cabinet or soffit above unit must extend out to same depth as side panels.

- Minimum width of 7' x 7' clear floor space required for Trim Kit assembly.
- For detailed Counter-Depth French Door Refrigerator installation, refer to model-specific product page and installation guide on web.

**Note:** For planning purposes only. Refer to Product Installation Guide on the web at [electroluxicon.com](http://electroluxicon.com) for detailed instructions.

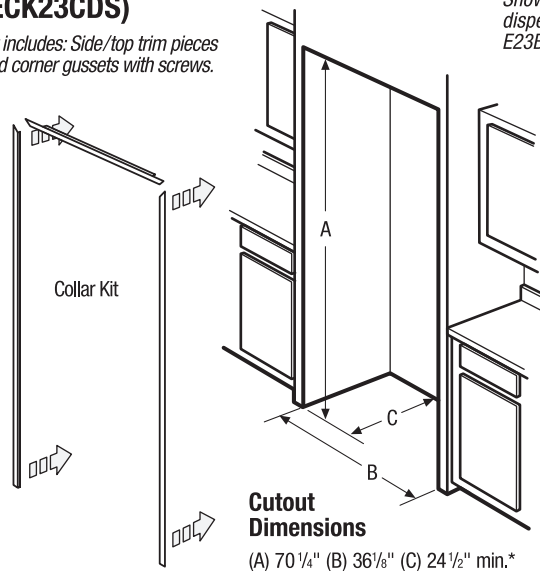


# Collar Kit (ECK23CDS) Installation

E23BC78IPS, E23BC78ISS, E23BC68JPS, E23BC68JSS

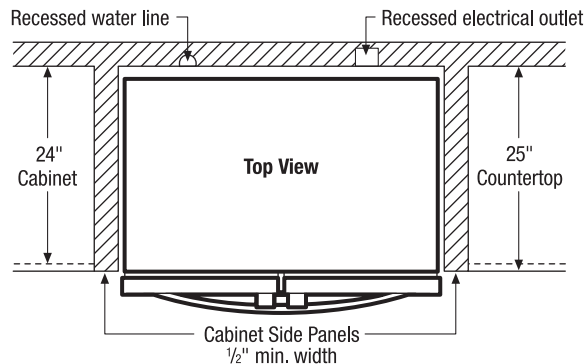
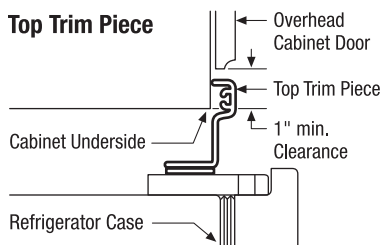
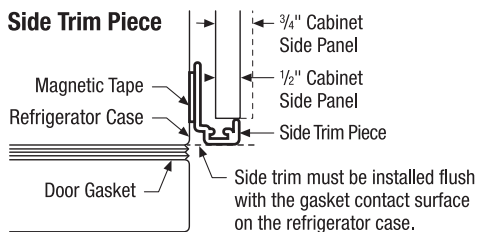
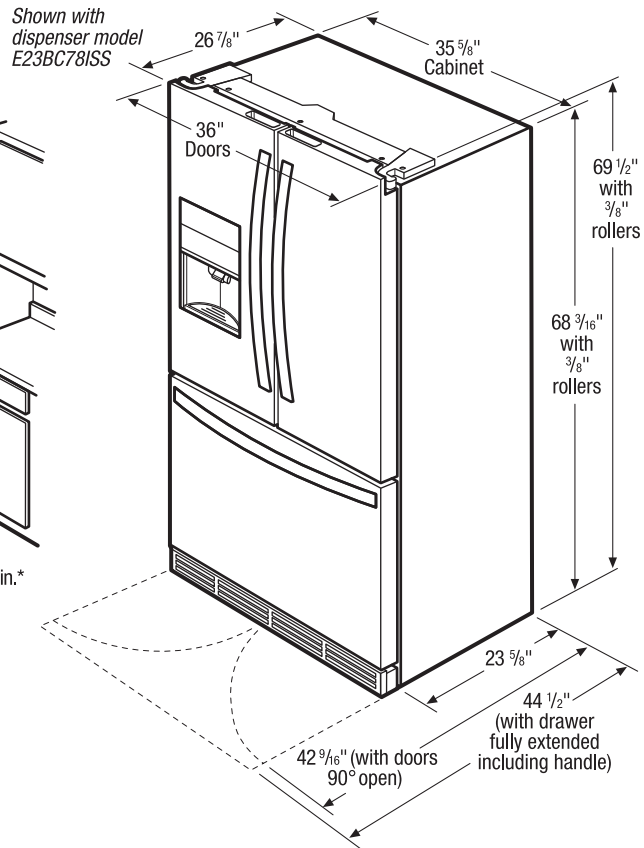
## Collar Kit (ECK23CDS)

Kit includes: Side/top trim pieces and corner gussets with screws.



\*Minimum depth from face of cabinet side panels and requires recessed electrical outlet and water line.

**Note:** Refer to detailed Collar Kit (ECK23CDS) Installation instructions included with kit or on web.



## Counter-Depth French Door Refrigerator Optional Collar Kit (ECK23CDS) Specifications

- To use Collar Kit (PN# ECK23CDS), an enclosure is required around Counter-Depth French Door Refrigerator having an opening of 70-1/4" H x 36-1/8" W with minimum cabinet side panels of 24-1/2" D x 1/2" W.
- Minimum 24-1/2" depth requires recessed electrical outlet and water line.
- Add maximum of 1/4" to 70-1/4" opening height when installed with frameless-style overhead cabinets, for door opening clearance.
- Cabinet or soffit above unit must extend out to same depth as side panels.
- To provide additional clearance for overhead cabinet doors when in open position, allow 1" from underside of cabinet to bottom of cabinet door.

- A minimum width of 36-1/8" is required for refrigerator installation with an additional 1/2" or 3/4" added for each side panel.
- If 1/2" side panels are used, then side trim piece and panel will be even. If 3/4" side panels are used, then 1/4" of side panel will extend beyond collar trim and must be finished.
- For detailed Counter-Depth French Door Refrigerator installation, refer to model-specific product page and installation guide on web.

**Note:** For planning purposes only. Refer to Product Installation Guide on the web at [electroluxicon.com](http://electroluxicon.com) for detailed instructions.

## Electrolux Major Appliances, N.A.

USA • 10200 David Taylor Drive • Charlotte, NC 28262 • 1-877-4electrolux (1-877-435-3287) • [electroluxicon.com](http://electroluxicon.com)  
 CANADA • 5855 Terry Fox Way • Mississauga, ON L5V 3E4 • 1-800-265-8352 • [electroluxicon.ca](http://electroluxicon.ca)

High standards of quality at Electrolux Home Products, Inc. mean we are constantly working to improve our products. We reserve the right to change specifications or discontinue models without notice.