

Electric Front Load Dryers

EIMED60L SS, EIMED60L T, EIMED60J IW

IQ-Touch™ Electronic Controls Featuring Perfect Steam™



Silver Sands
EIFLS60L SS



Silver Sands



Titanium



Island White

Optional Luxury-Glide®
Touch-2-Open™
Pedestals Shown in
Available Colors.



Gentlest Dry¹

Our gentlest dryer offers exclusive technology that gently tumbles clothes with exceptional temperature control to help protect fabric.



Fastest Dry Time²

Fastest dryer with just 14 minutes to dry.



Largest Capacity Dryer³

Dry the most in one load with 8.0 cu. ft. capacity.



Perfect Steam™ Dryer

The latest technology removes wrinkles and freshens clothes. "Add Steam" option can be used with select cycles.

27" ELECTRIC FRONT LOAD DRYERS

| | |
|----------------------------|----------------------------|
| Capacity D.O.E. | 8.0 Cu. Ft. |
| Features | |
| Door Design | Signature Soft-Arc |
| Electronic Controls | IQ-Touch™ with LCD Display |
| Perfect Steam™ Dry System | Yes |
| Dry System | Gentle Tumble™ |
| Sound System | Luxury-Quiet™ |
| Lighting | Luxury-Design® |
| System | Luxury-Dry™ |
| Touch-2-Open™/(Close) Door | Yes |
| Moisture Sensor | Exact Dry™ |
| Dryer Drum | Stainless Steel |
| Tumble Speed (RPM) | 50 |
| Reversible Door | Yes |
| Adjustable Leveling Legs | Yes |
| NSF® Certified | Sanitize |

Cycles

| | |
|---|----|
| Fast Dry, My Favorite (1), Heavy Duty, Mixed Load*, Towels, Normal*, Casual*, Delicate*, Allergen, Timed Dry, Perfect Steam* (*Can be used with Add Steam option) | 11 |
| Specialty Cycles – Jeans, Warm Up, Stuffed Animals, Pet Beds, Active Wear, Bedding, Air Clean | 7 |

Options

| | |
|-----------------------------|------------|
| Temperature Selections | 5 |
| Add Steam | 5 |
| Electronic Auto Dry System | Yes |
| Manual Timed Dry Selections | 4 |
| Delay Start (Hours) | 22 |
| End-of-Cycle Chime | Adjustable |
| Extended Tumble | Yes |
| Anti-Static | Yes |
| Line Dry | Yes |
| Shrink Guard | Yes |
| Dryness Levels | 4 |

Installation Options

| | |
|---|-----|
| Freestanding, Under Counter*, Stacked (Above Washer), Pedestal, Hidden (In Closet), Second Floor, 4-Way Dryer Venting | Yes |
|---|-----|

Accessories

| | |
|--|----------|
| Luxury-Glide® Touch-2-Open™/(Close) Pedestal – Silver Sands – PN# EPWD15SS | Optional |
| Titanium – PN# EPWD15T | |
| Island White – PN# EPWD15IW | |
| Dryer Stacking Kit – PN# STACKIT4X | Optional |
| Mobile Home Installation Kit – PN# 137067200 | Optional |
| Drying Rack – PN# 134912700 | Included |

Specifications

| | |
|--|--------------------|
| Color – | |
| Silver Sands | SS |
| Titanium | T |
| Island White | IW |
| Product Dimensions – | |
| Height (Without 15" Pedestal) | 38" |
| (With 15" Pedestal) | 53" |
| Width | 27" |
| Depth (to Center of Arc Not Including Hose) | 31-1/2" |
| (with 90° Door Open) | 50-5/8" |
| Maximum Exhaust Duct Length ⁴ (Ft.) | 125 |
| Power Supply Connection Location | Bottom Right Rear |
| Voltage Rating | 240V / 60 Hz / 30A |
| Connected Load (kW Rating) @ 240 Volts | 6.0 |
| Amps @ 240 Volts | 25 |
| Heating Element @ 240 Volts (Watts) | 5,400 |
| Shipping Weight (Approx.) | 140 Lbs. |

*Side-by-Side units in under-counter installation require custom-built countertop and/or cabinetry.

NOTE: Always consult local and national electric & plumbing codes. Refer to Product Installation Guide for detailed installation instructions on the web at electroluxappliances.com.

Specifications subject to change.

¹Based on cloth temperature. January 2012.

²Fastest time based on smallest load / Fast Dry cycle selected for various load compositions.

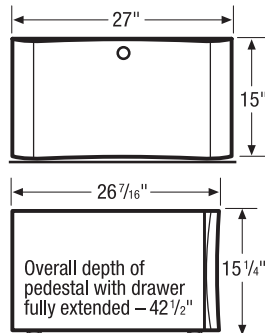
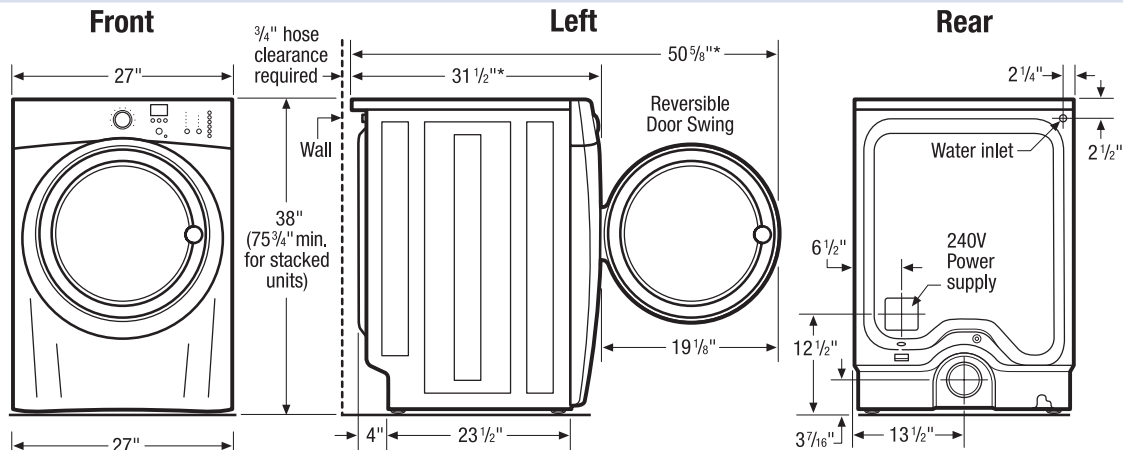
³Based on manufacturer specifications.

⁴Rigid metal duct preferred, semi-rigid optional and allow deductions for elbows and vents. Refer to Installation Guide on web for additional information.



Electric Front Load Dryers

EIMED60L SS, EIMED60L T, EIMED60J W

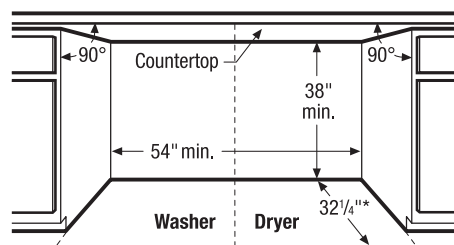


15" Drawer Pedestal Installation

Elevates dryer height to 53". For detailed pedestal installation, refer to instructions included with pedestal or on web. **Note:** Pedestal Installation requires modified utility hookup locations. For details, refer to Product Installation Guide on web.

Built-In Installations

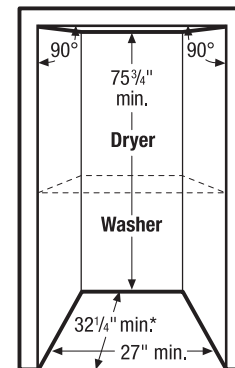
For built-in installations, 3/4" steam hose clearance required at back of dryer, NO minimum clearance required around sides of units. For closet installation, allow 1" clearance between fronts of units and door. Location of plumbing, exhaust and utility hookups MUST be considered in built-in installations. For additional installation details, refer to Product Installation Guides on web.



Side-by-Side Units in Under-Counter Installation

Requires custom-built countertop and/or cabinetry.

* To achieve minimal depth dimensions or clearances, dryer MUST be vented straight back or with quick-turn 90° elbow.



Stacked Units in Recessed or Closet Installation

For detailed stacked installation, refer to instructions included with Stacking Kit or on web. **Note:** Stacked installation requires modified utility hookup locations for dryer. For details, refer to Product Installation Guide on web.

Electric Dryer Specifications

- Product Weight – 130 Lbs.
- Voltage Rating – 240V/60 Hz/30 Amps
- Single phase 3- or 4-wire cable, 240 Volt, 60 Hertz AC only electrical supply with ground required on separate circuit fused on both sides of line. (Do not use same circuit as washer.)
- Connected Load (kW Rating) @ 240 Volts = 6.0 kW
- Amps @ 240 Volts = 25 Amps
- Dryer MUST employ a 3-conductor NEMA 10-30 type SRDT or 4-conductor NEMA 14-30 type SRDT or ST (as required), rated at 240 volt AC minimum, 30 amp power supply cord marked for use with clothes dryers (not supplied).
- Grounding through neutral link prohibited in specific applications and certain locales, requiring use of 4-wire system. (For detailed electrical requirements, refer to Product Installation Guide on web.)
- Always consult local and national electric & plumbing codes.
- Can be installed alone, with or without optional 15" drawer pedestal, or stacked above matching Electrolux Washer, which requires installation of optional dryer stacking kit. (For installation details, refer to instructions included with optional pedestal or stacking kit or on web.)
- Can be built in with matching Electrolux Washer in under-counter, recessed or closet installation. Installations requiring countertop and/or cabinetry will require custom building. (Refer to Built-In Installations on this page for cutout dimensions. For additional installation details, refer to Product Installation Guide on web.)
- Closet installation requires vented door with 2 unobstructed louvered openings, minimum 60 sq. in. each, located 3" from top and bottom of door. Full-length 120 sq. in. opening also acceptable. Allow 1" clearance between door and fronts of units.
- Do NOT install in area exposed to dripping water or outdoor weather conditions, or where gasoline or other flammables, including automobiles, are kept or stored.
- Floor MUST be solid with 1" maximum slope. To ensure vibration or movement does not occur, reinforcement of floor may be necessary. Do NOT install on carpeted surface.
- Dryer MUST exhaust to outside of building, NOT into any concealed space.
- Dryer equipped for 4-way venting and approved for up to 125-foot-equivalent of duct length, determined by length of run and number of elbows needed.
- Exhaust installation requires minimum 4"-diameter rigid or semi-rigid metal duct with approved, unobstructed vent hood having swing-out damper(s). If installing rigid metal duct (preferred), do not exceed MAXIMUM venting run length of 125 ft., allow deductions for elbows and vents. If installing semi-rigid metal duct, do not exceed MAXIMUM venting run length of 8 ft., always allow deductions for elbows and vents (Refer to Product Installation Guide on web for additional information). Do NOT use flexible plastic or metal foil duct and use shortest run possible.
- Leveling legs supplied to level dryer properly and reduce excessive noise and vibration.
- Water inlet hose for steam setting connects to cold water supply with "Y" connector and requires 3/4" clearance between back of unit and wall.

Note: For planning purposes only. Refer to Product Installation Guide on the web at electroluxappliances.com for detailed instructions.

Optional Accessories

- Drawer Pedestals – Silver Sands (PN # EPWD15SS), Titanium (PN # EPWD15T), Island White (PN # EPWD15IW).
- Dryer Stacking Kit – (PN # STACKIT4X).
- Mobile Home Installation Kit – (PN # 137067200).



High standards of quality at Electrolux Home Products, Inc. mean we are constantly working to improve our products. We reserve the right to change specifications or discontinue models without notice.

Electrolux Major Appliances, N.A.

USA • 10200 David Taylor Drive • Charlotte, NC 28262 • 1-877-4electrolux (1-877-435-3287) • electroluxappliances.com
 CANADA • 5855 Terry Fox Way • Mississauga, ON L5V 3E4 • 1-800-265-8352 • electroluxappliances.ca